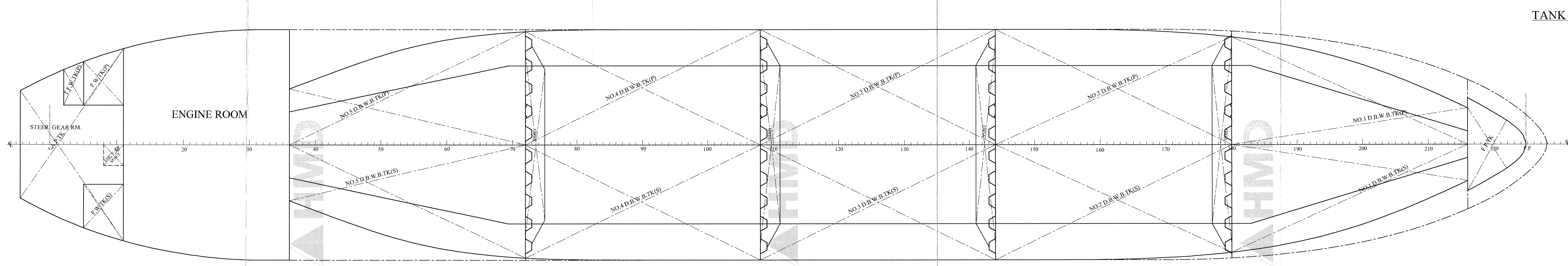
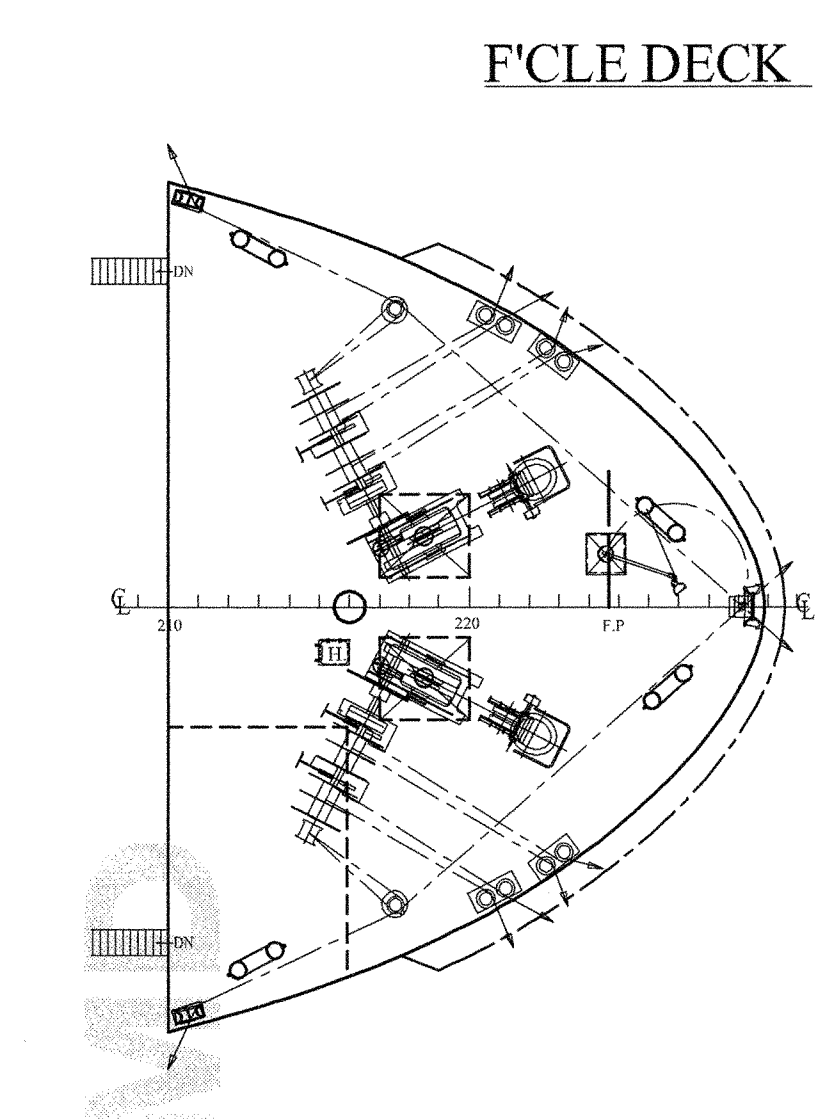
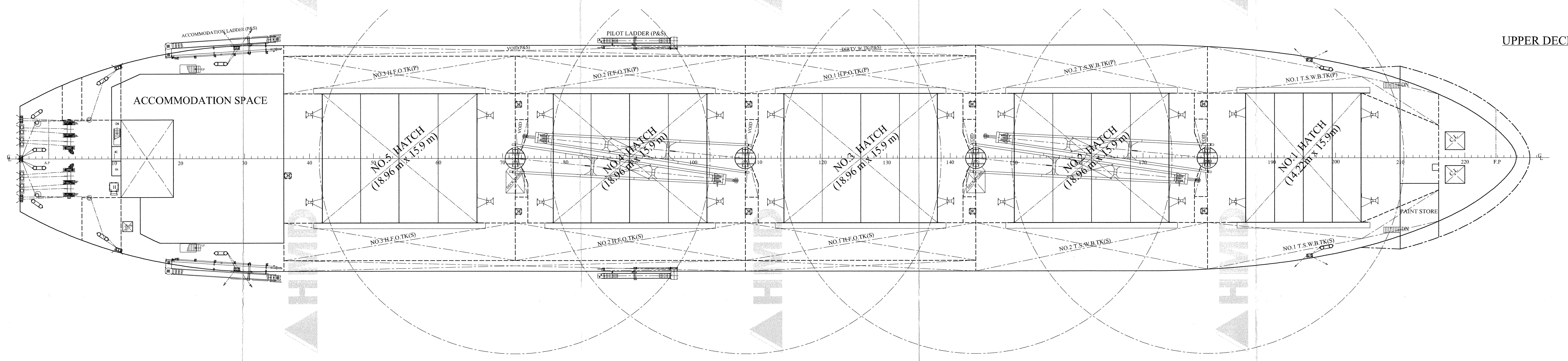
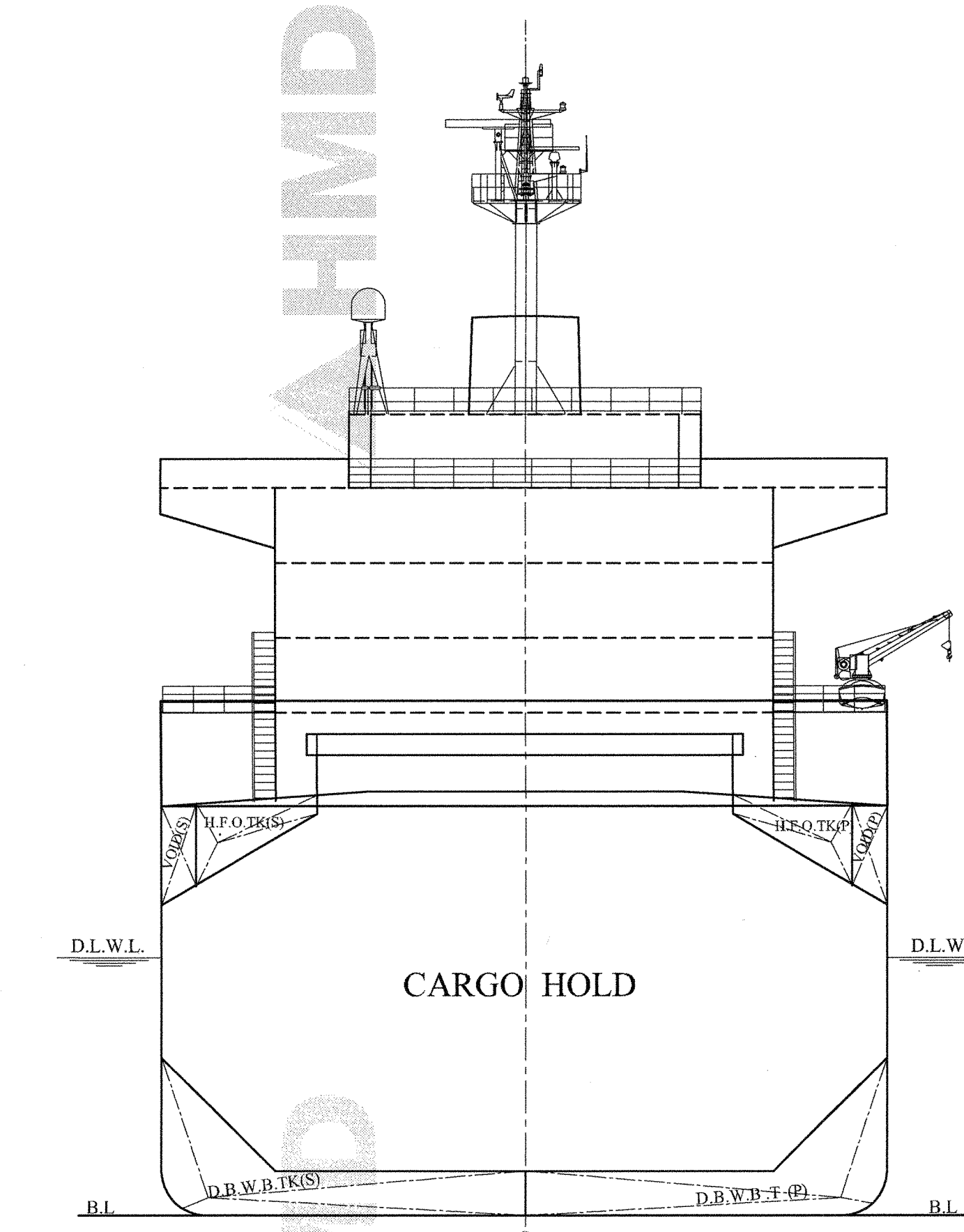
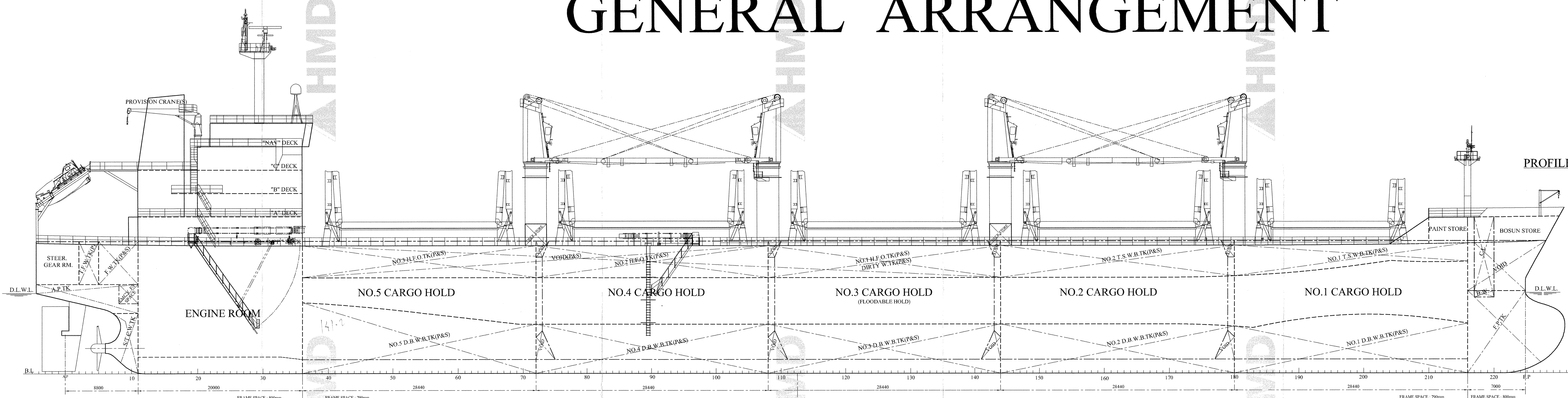


# GENERAL ARRANGEMENT



## PRINCIPAL PARTICULARS

LENGTH O. A.	ABT. 187 M
LENGTH B. P.	178.00 M
BREADTH MLD.	27.80 M
DEPTH MLD.	15.60 M
DESIGN DRAFT MLD.	9.80 M
SCANTLING DRAFT MLD.	10.90 M

For and on behalf of the Buyer

For and on behalf of the Builder

*General Manager, Technical*  
Chellaram Shipping (HS) Ltd.

*SOO GEUN LEE*  
HMD/SVP

CLASSIFICATION <b>A</b>	CAUTION THIS DRAWING OR DOCUMENT IS THE PROPERTY OF HYUNDAI MPO DOCKYARD CO., LTD. AND IT MUST NOT BE PARTIALLY OR WHOLLY COPIED OR USED FOR ANY OTHER PURPOSE WITHOUT PRIOR WRITTEN PERMISSION OF HYUNDAI MPO DOCKYARD(HMD).	
	DEPT NO. 5A00	SHIP TYPE 37,000 DWT CLASS BULK CARRIER
TEL NO. 3747	DEPT NAME INITIAL DESIGN DEPT	SHIP NAME 61206121
DATE JULY 2, 2010	APPROVED D. B. LEE	NAME OF DRAWING GENERAL ARRANGEMENT
	CHECKED S. H. PARK	
	DRAWN D.G. KO	SCALE 1/200
		DRAWING NO. 1A000B101
		REV NO. C0
HYUNDAI MPO DOCKYARD CO., LTD. USAN KOREA		CONSOLIDATED