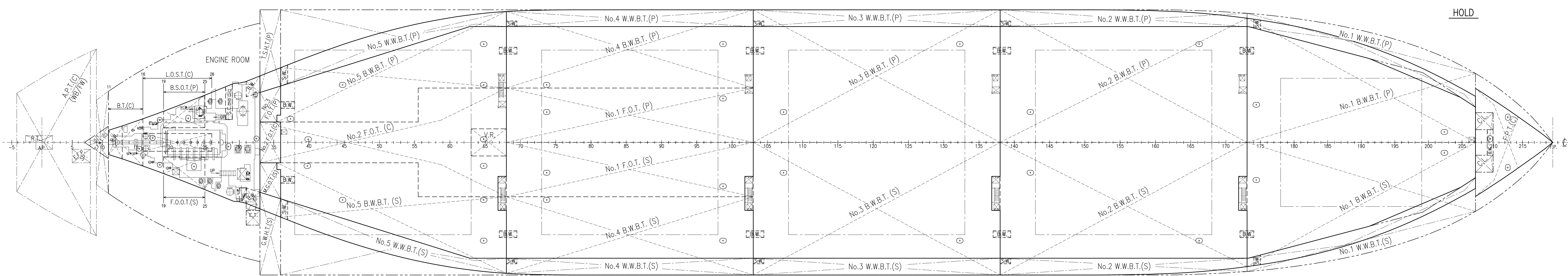
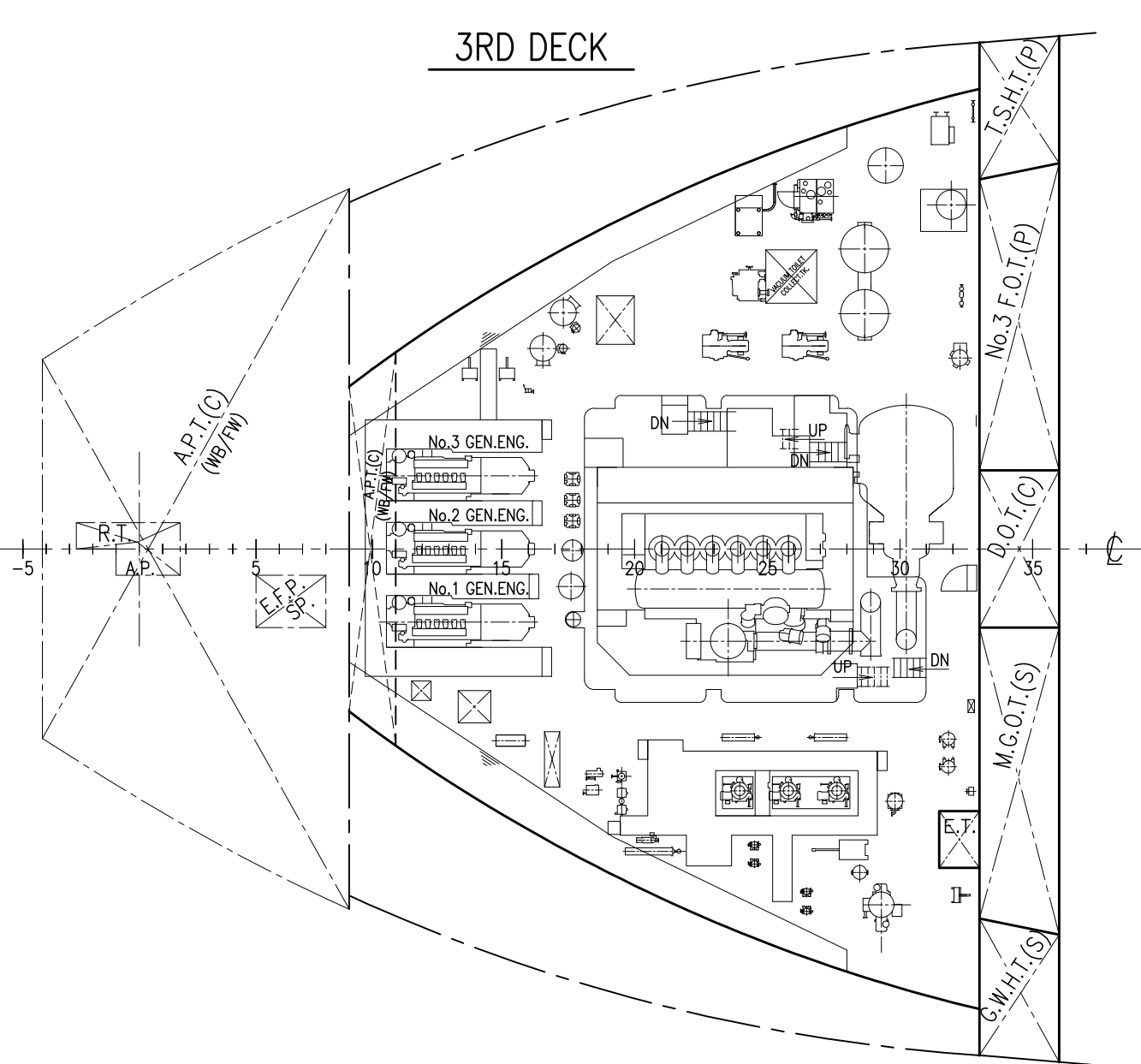
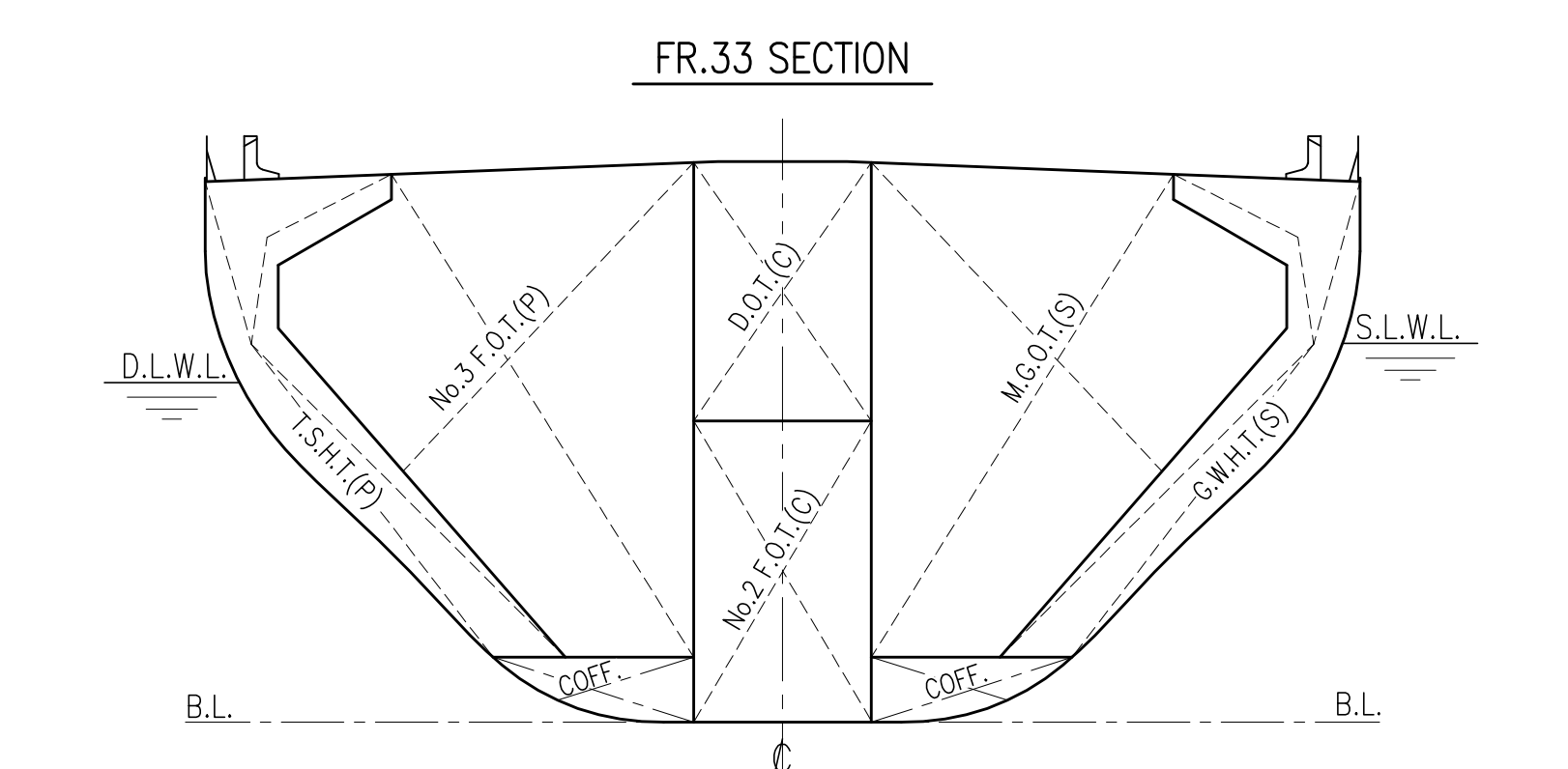
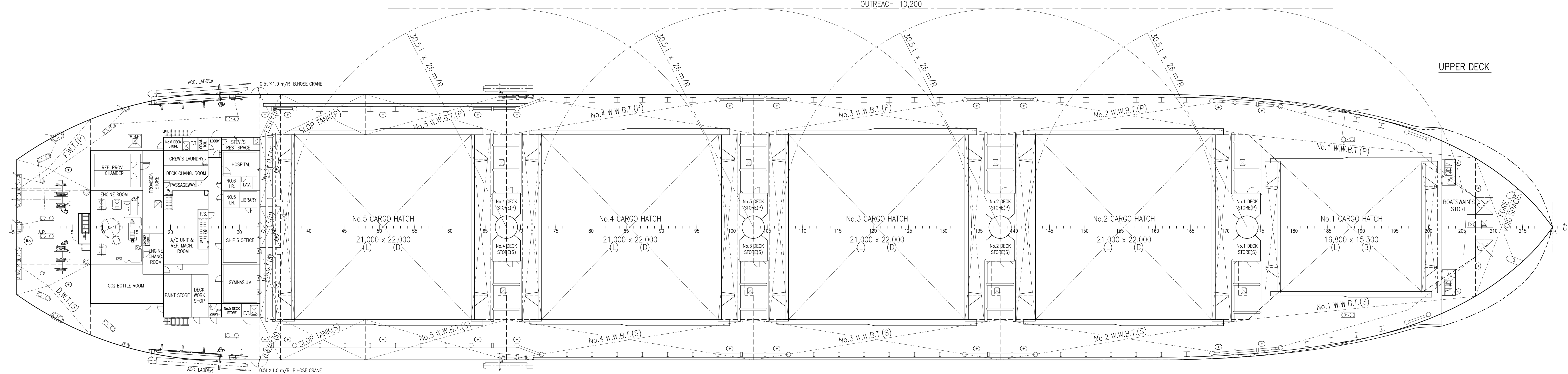
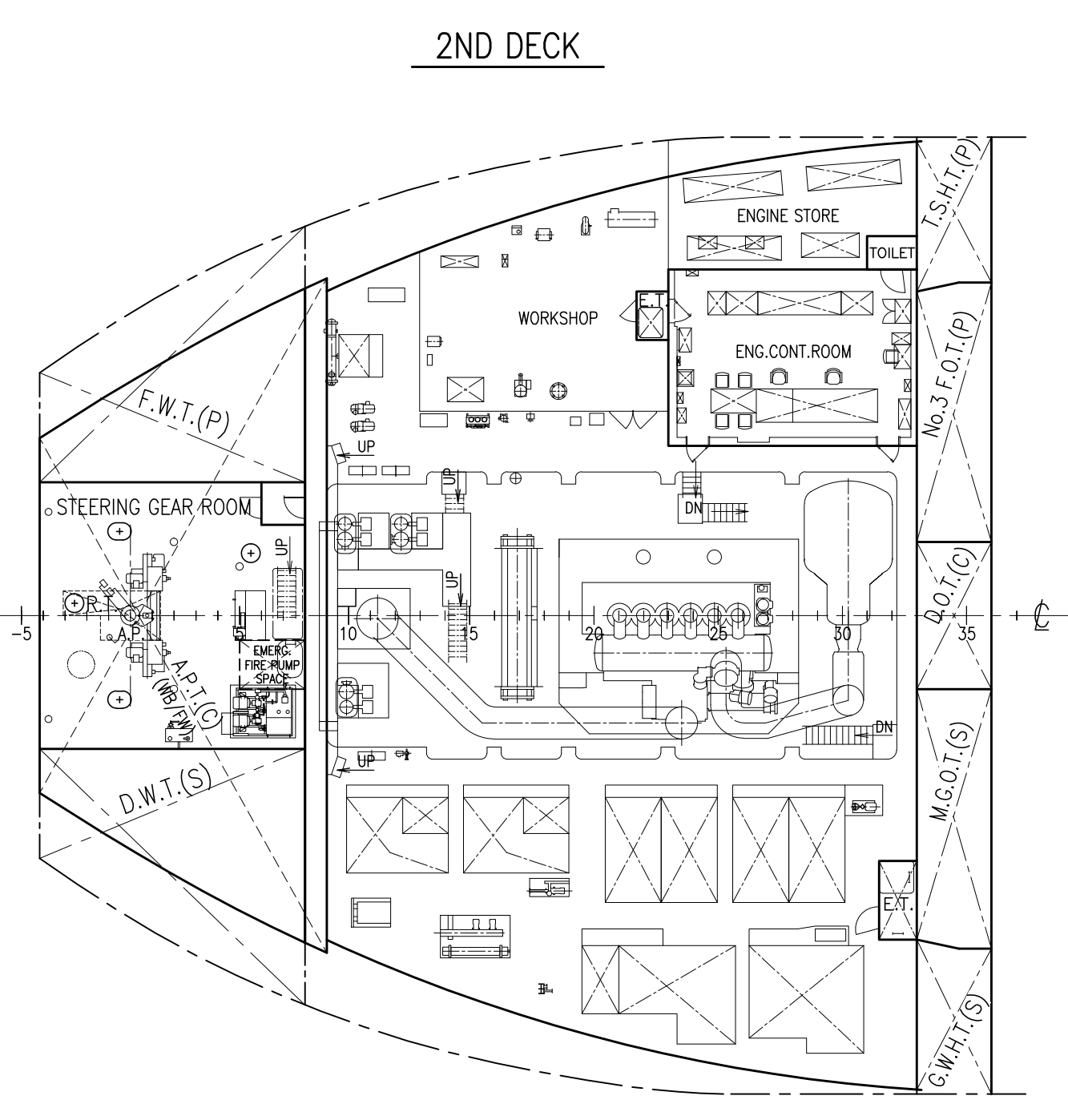
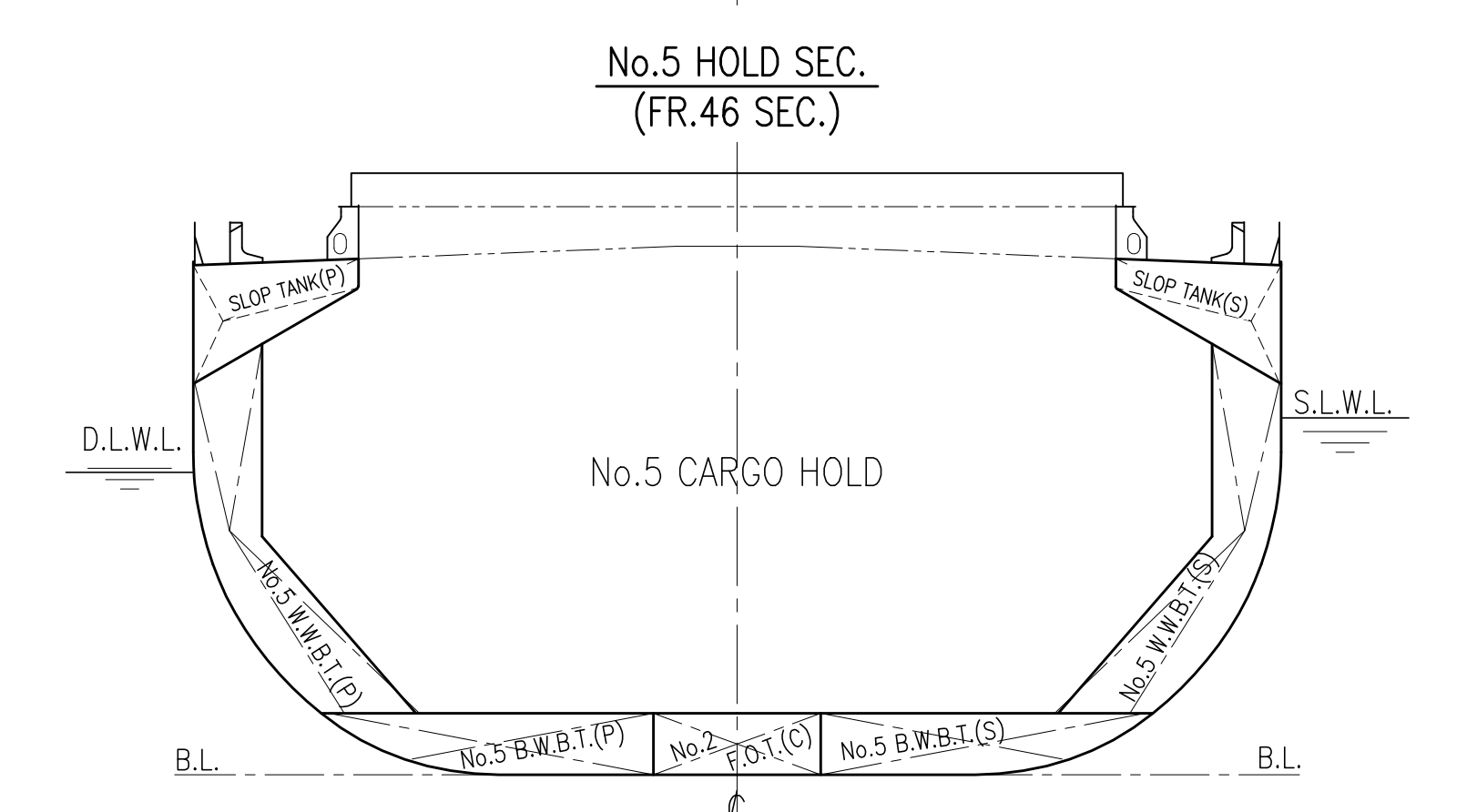
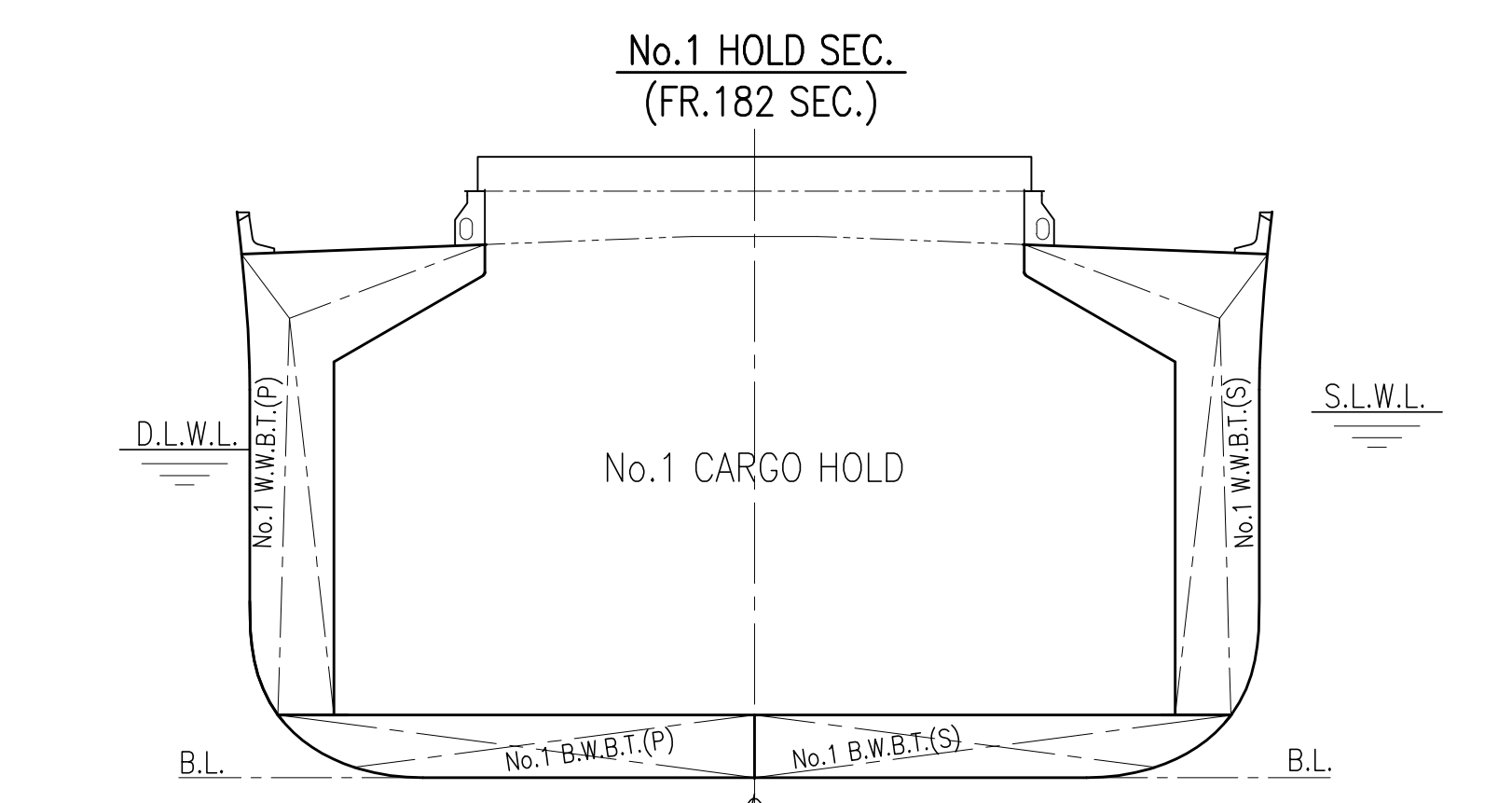
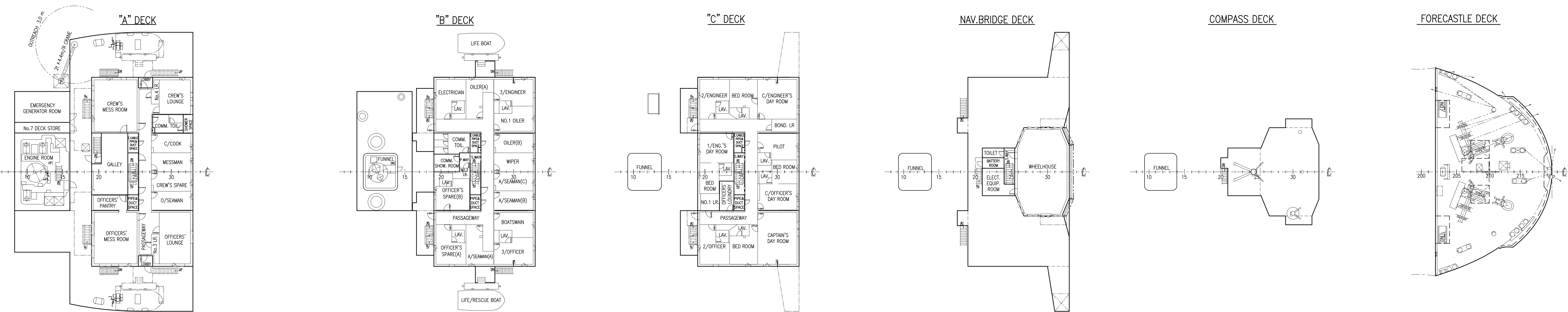
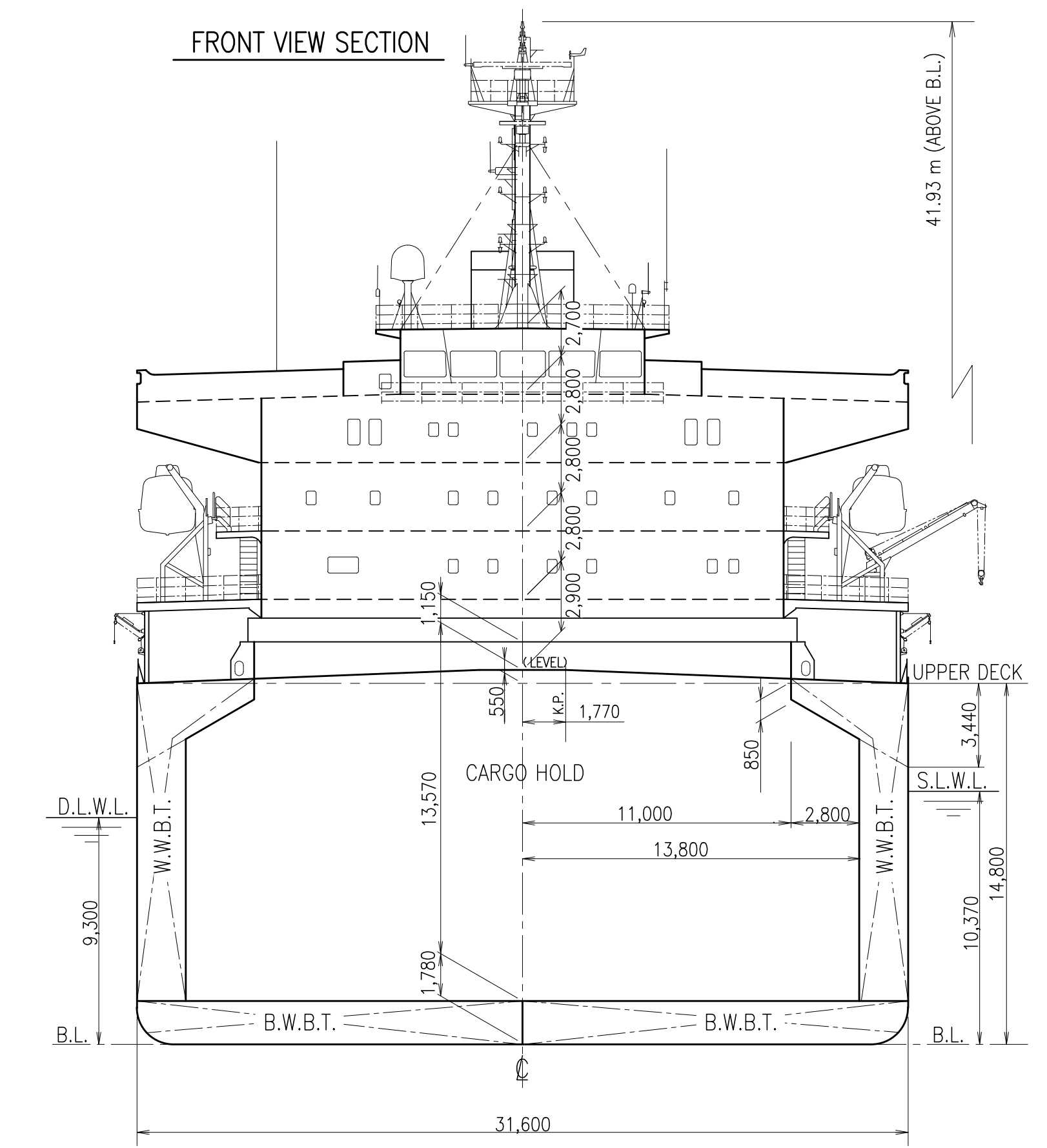
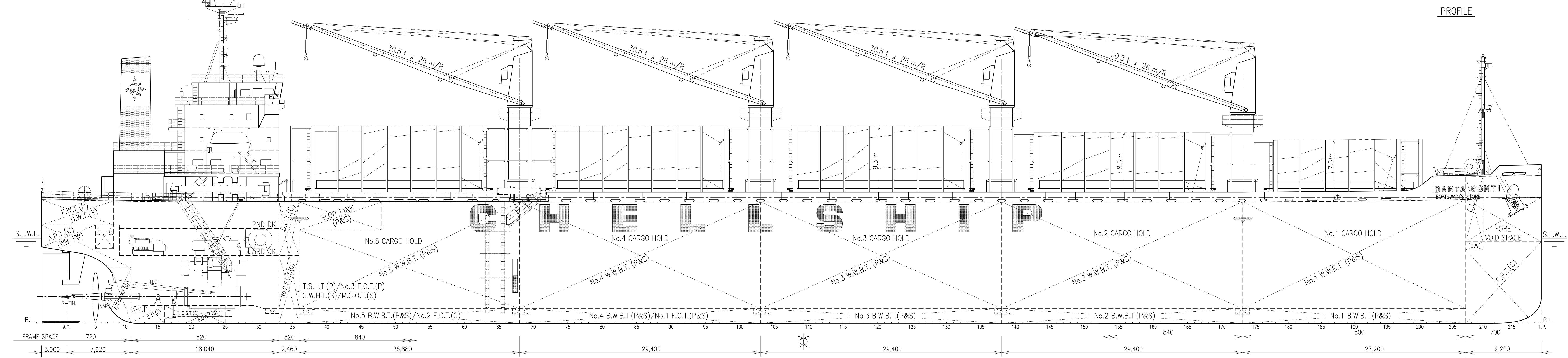


GENERAL ARRANGEMENT M.V. "DARYA GOMTI"

BIBLIOGRAPHY
 1) DESIGNED FOR 5908.
 (JANUARY 31, 2021)



PRINCIPAL PARTICULARS

LENGTH (O.A.)	182.94 m
LENGTH (P.P.)	179.90 m
BREADTH (MLD.)	31.60 m
DEPTH (MLD.)	14.80 m
DESIGNED DRAUGHT (EXT.)	9.322 m
SCANTLING DRAUGHT (EXT.)	10.392 m
TIMBER SUMMER DRAUGHT (EXT.)	10.635 m
DEADWEIGHT (DESIGN/SCANTLING)	34,522/40,037 t
INTERNATIONAL GROSS TONNAGE	24,472 t
MAIN ENGINE	MAN B&W 6S46ME-BB-5-HFSCR x 1 set
M.C.O.	5,680 kW (7,723 PS) at 105.0 min ⁻¹
N.C.O. (83.36% M.C.O.)	4,735 kW (6,438 PS) at 98.8 min ⁻¹
SERVICE SPEED (DESIGN DRAUGHT)	14.0 kts
COMPLEMENTS	24 P
CLASSIFICATIONS	NK : NS* / MNS* (BCM, BC-XII, GRAB, PSPC-WBT, NC) (HM) (NOX-III (SCR)) (NVC.C+)
(Double hull construction applied to all cargo holds)	
(NOX-III(2012)(M/E-SCR), (G/E(No.1,2,3)(SCR))	

40,000 DWT, TYPE LOG/BULK CARRIER "HIGH BULK AOE"

S908

GENERAL ARRANGEMENT

FINISHED PLAN

SCALE 1/200

THE HAKODATE DOCK CO., LTD.
 HAKODATE, JAPAN

SHIP DESIGN DEPARTMENT

APPROVED: *[Signature]*
 CHECKED: *[Signature]*
 CHECKED: *[Signature]*
 DRAWN: *[Signature]*

DRAWING No. 600-305 REVISION No. R00-000
 FIN. PLANS LIST No. P-3

THE HAKODATE DOCK CO., LTD.