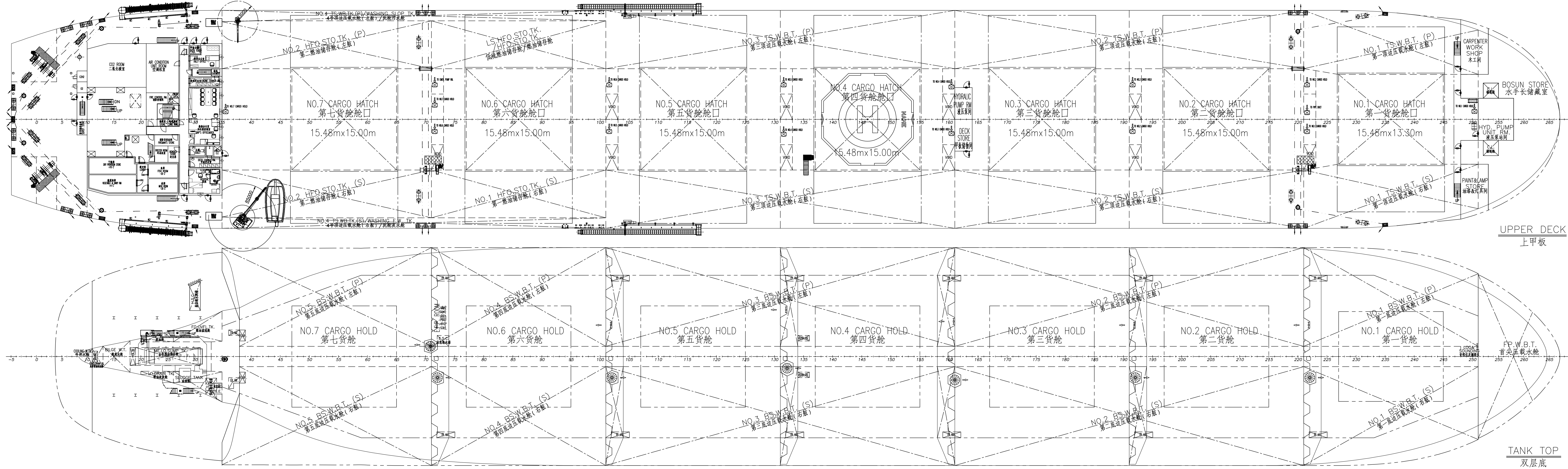
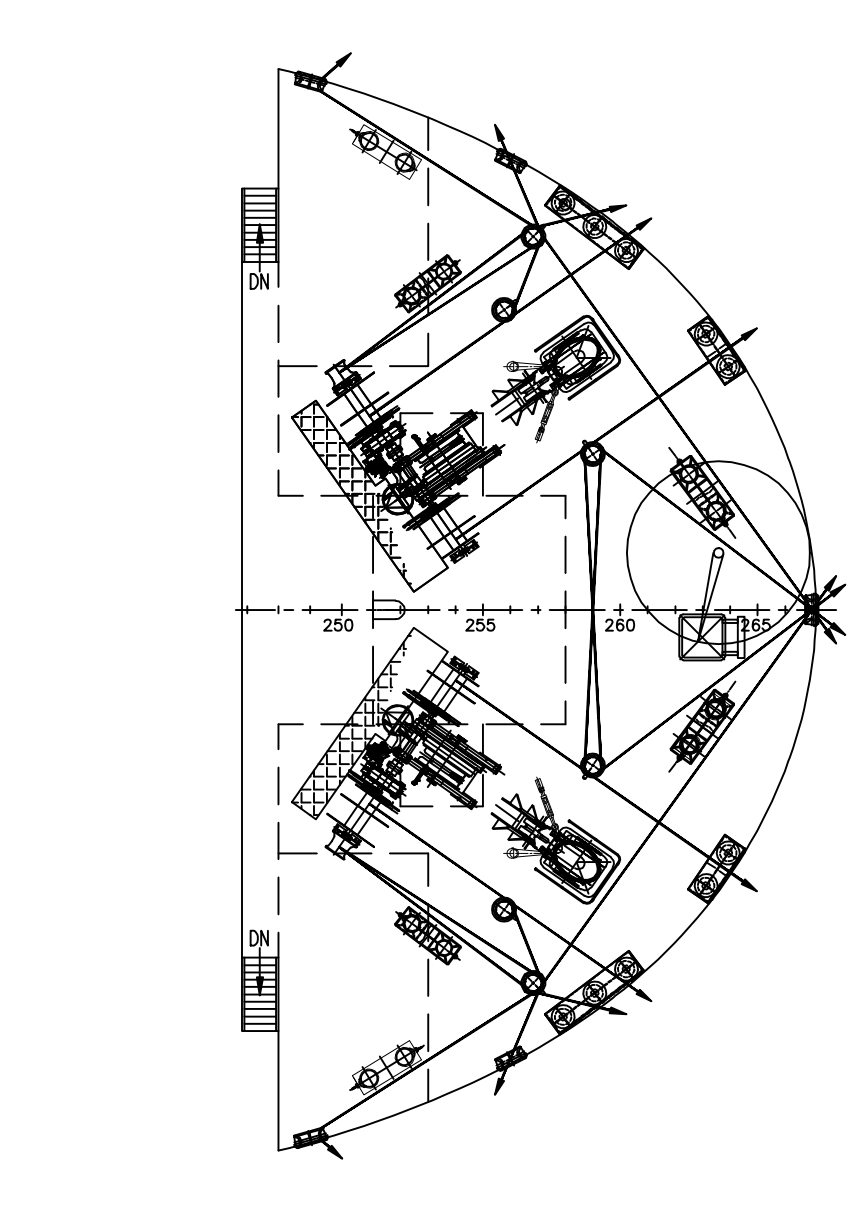
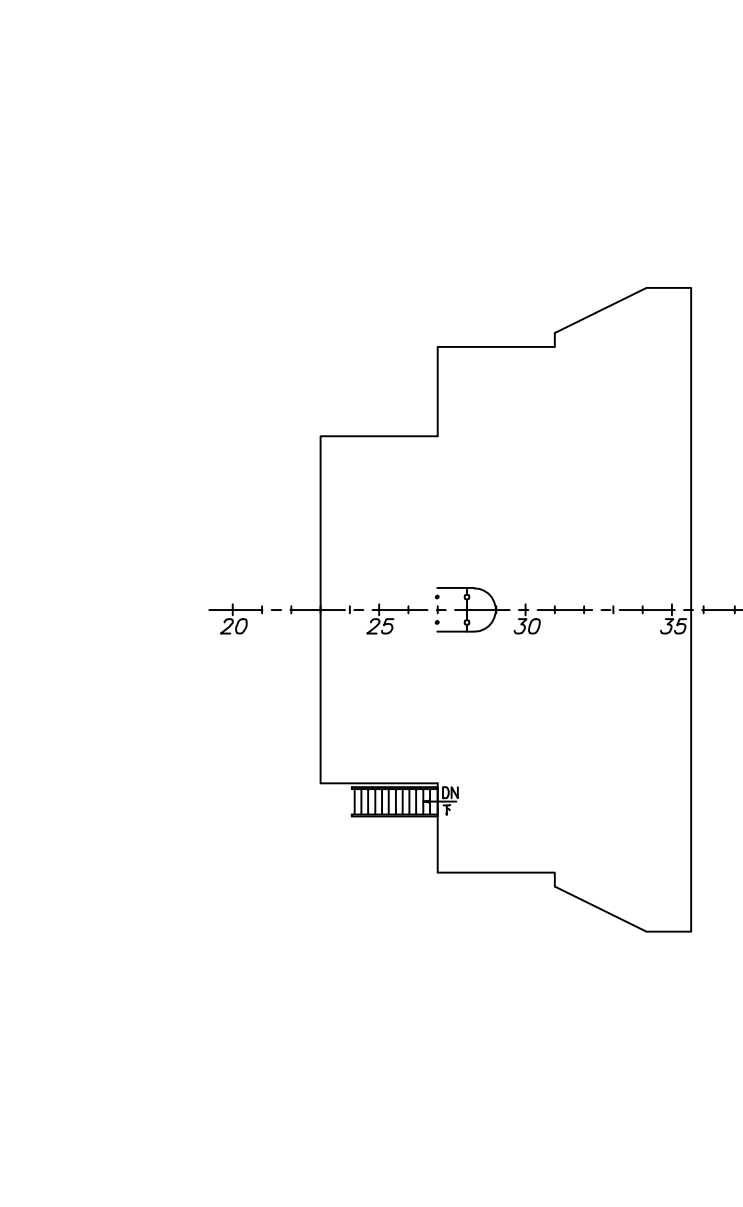
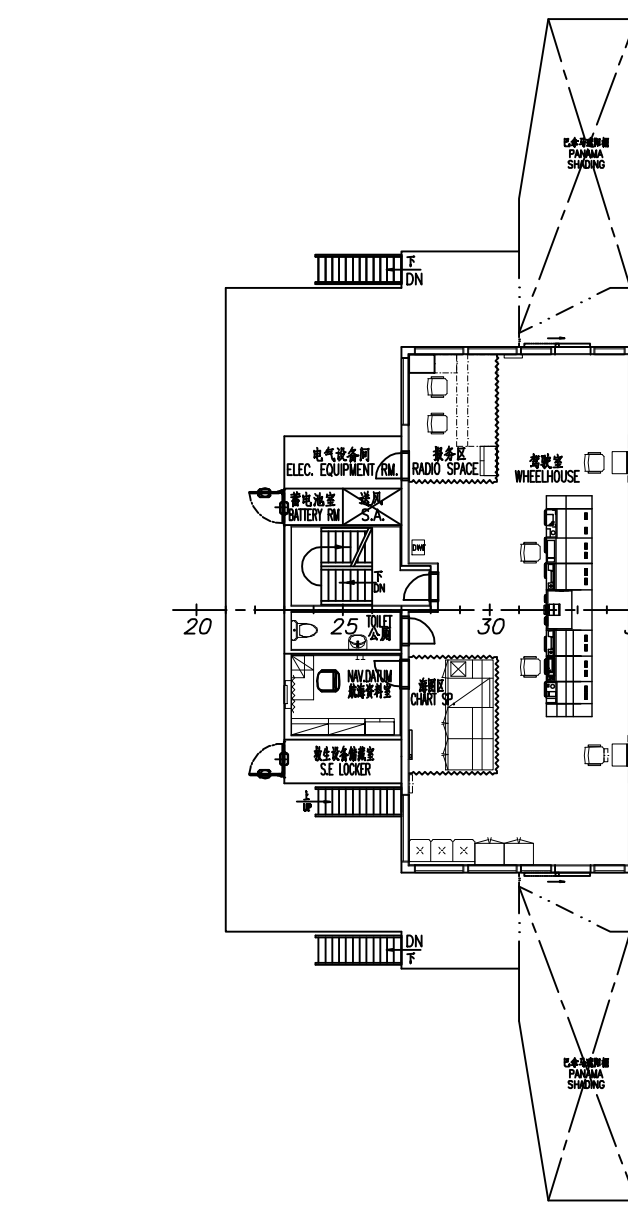
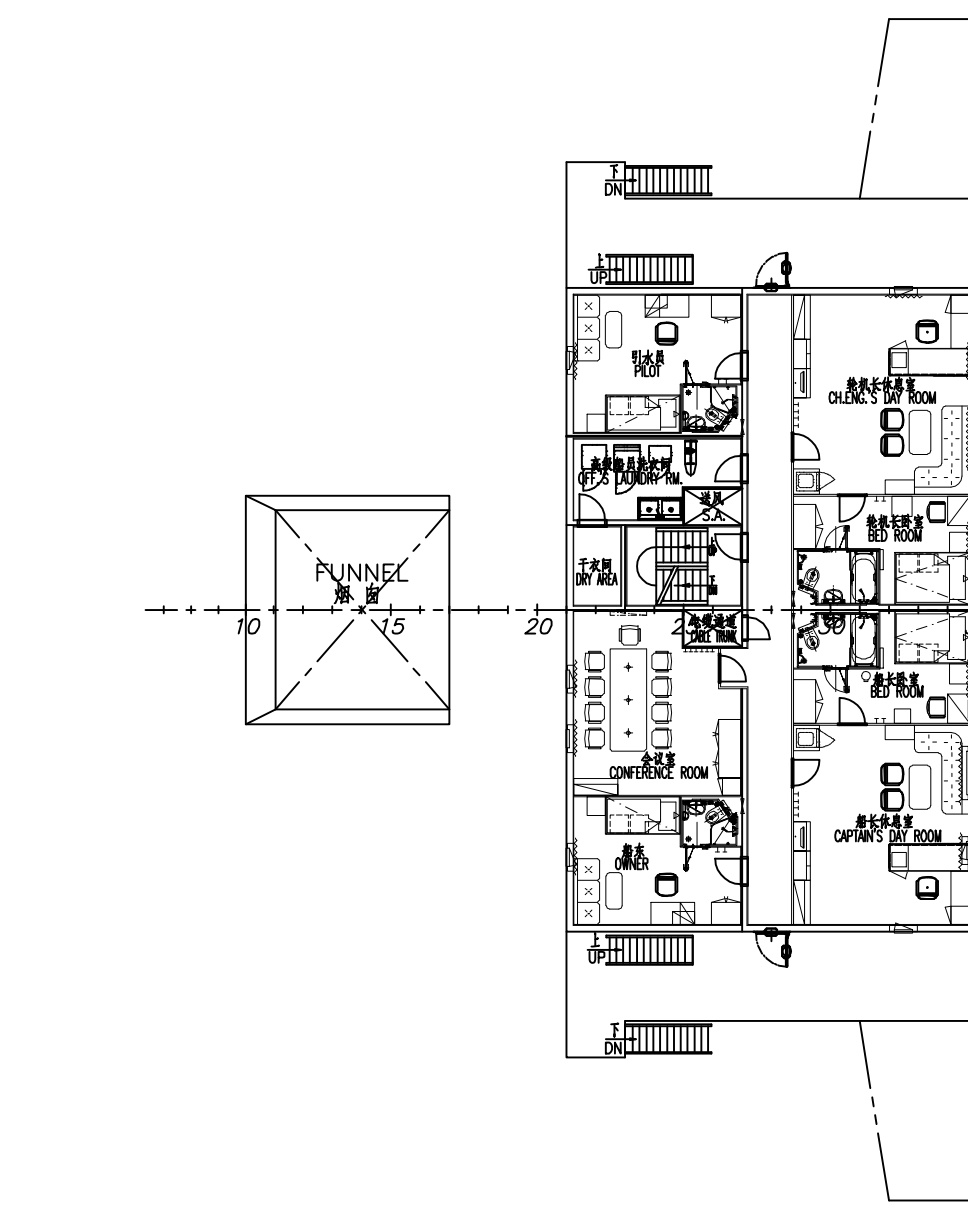
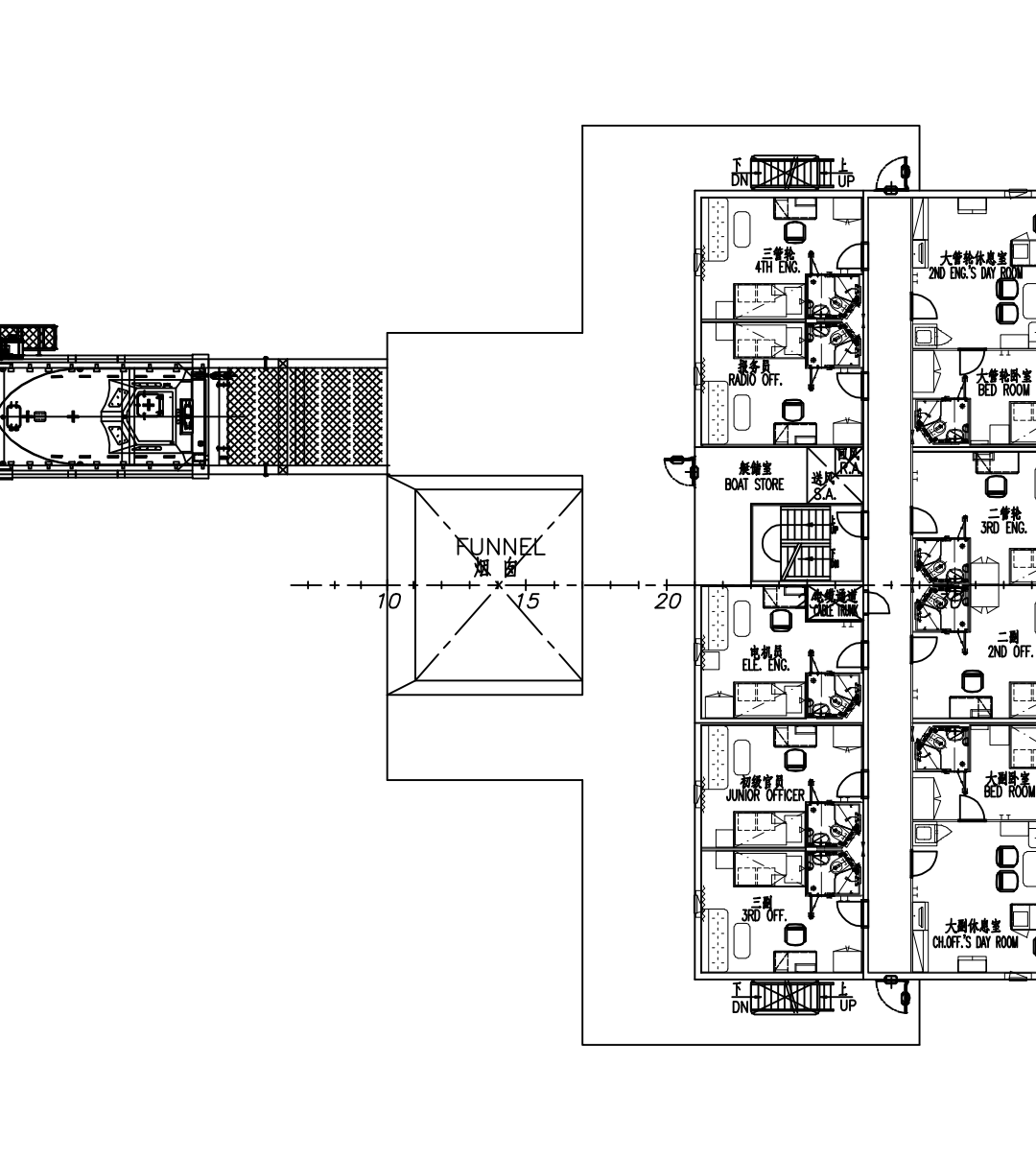
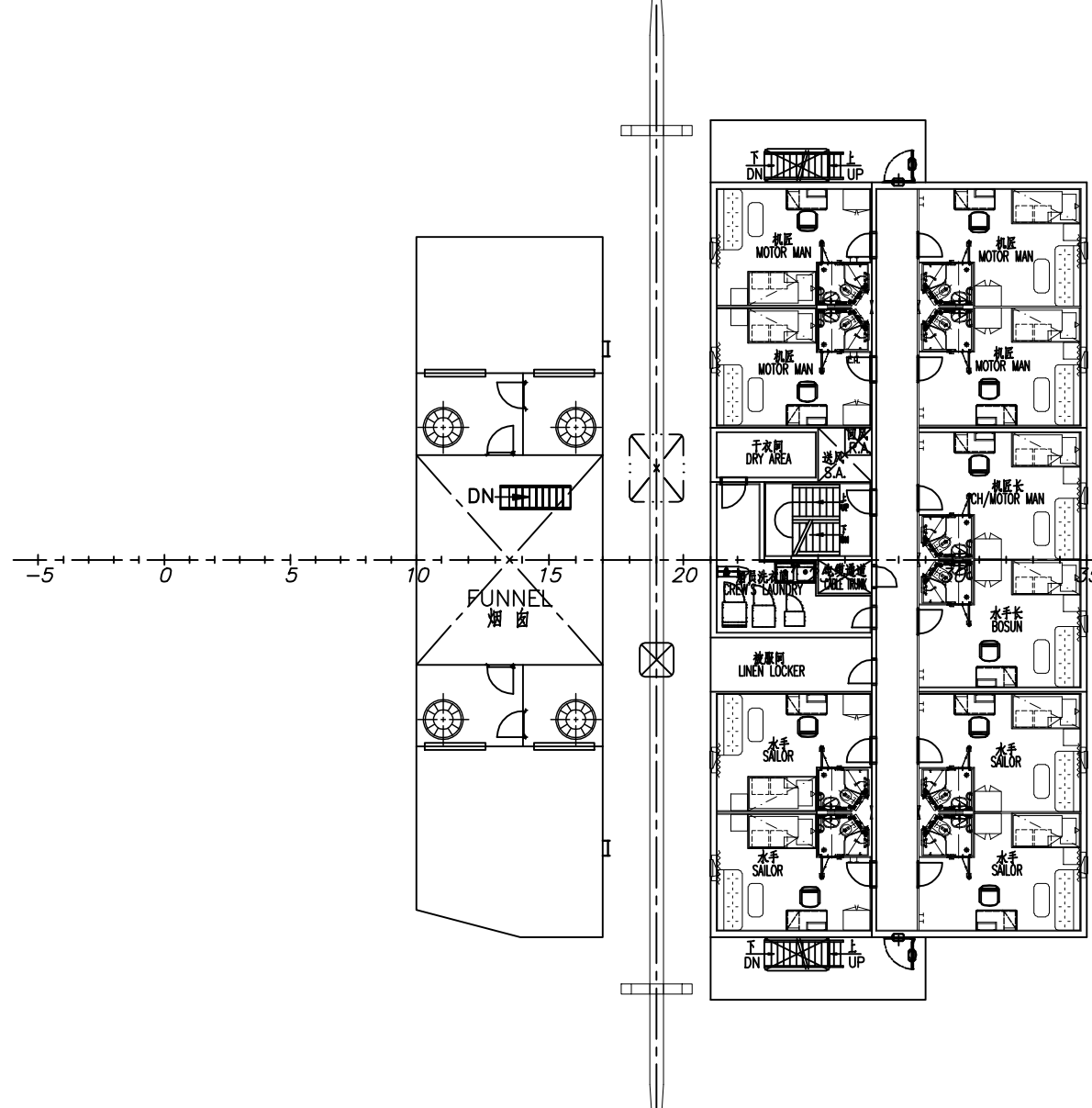
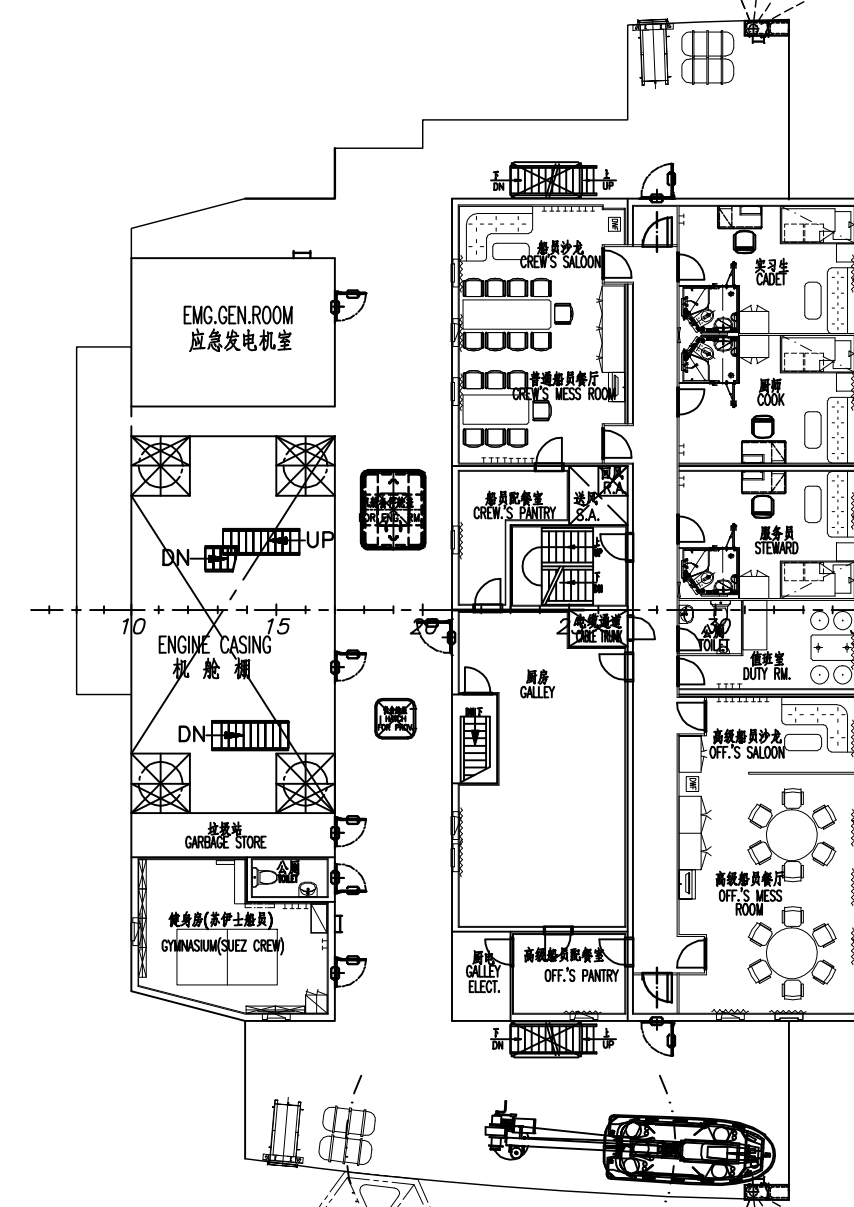
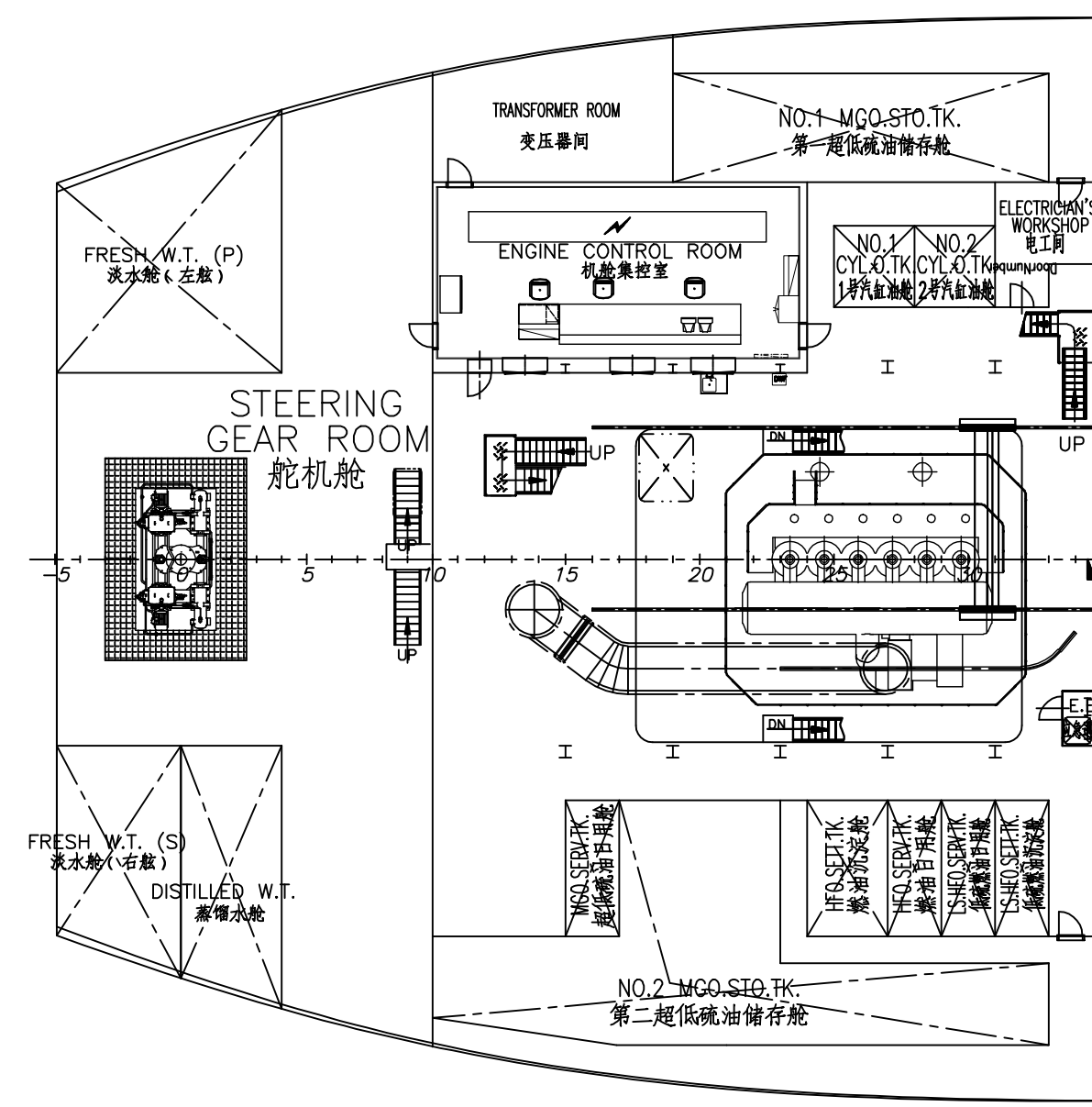
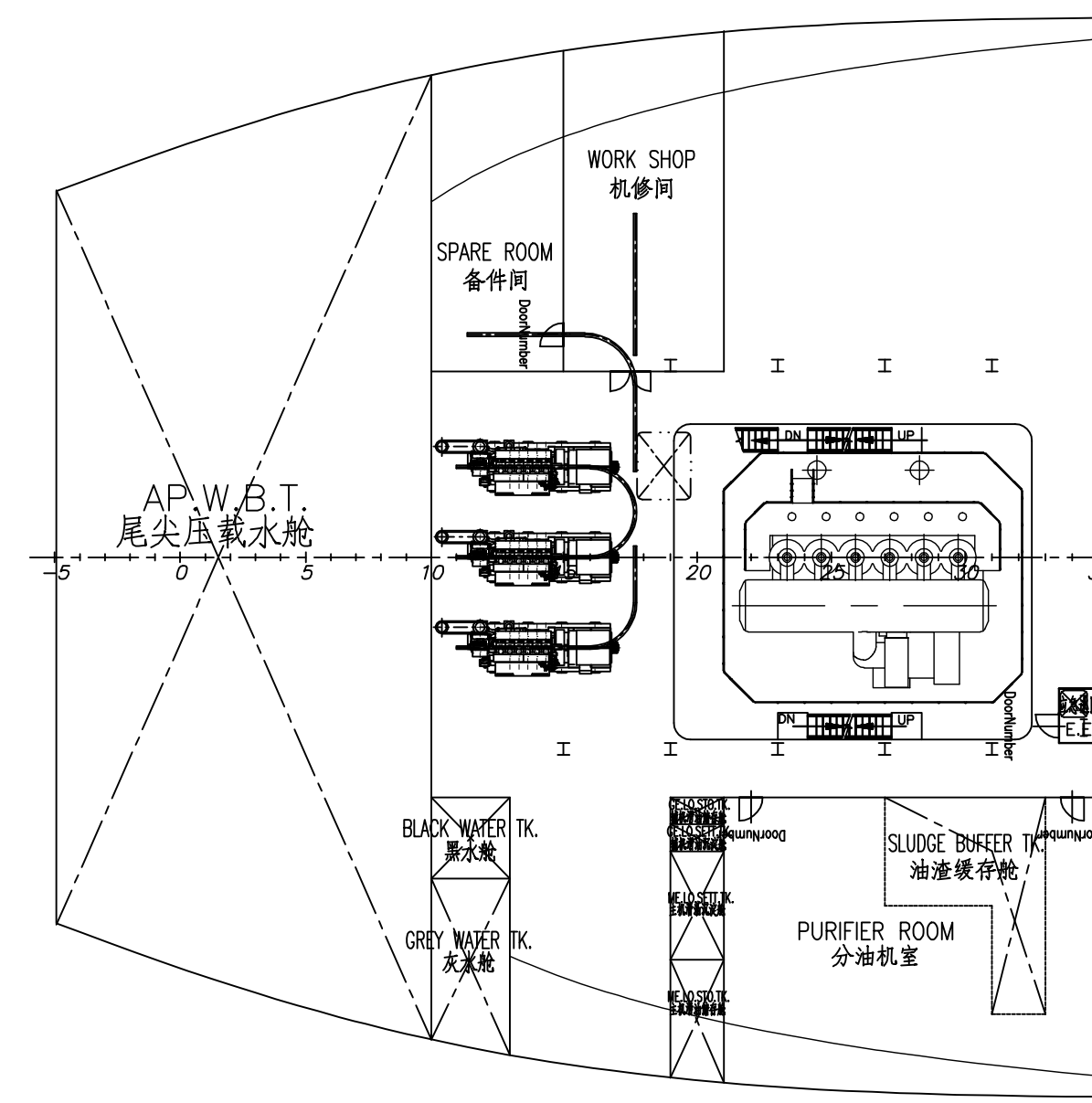
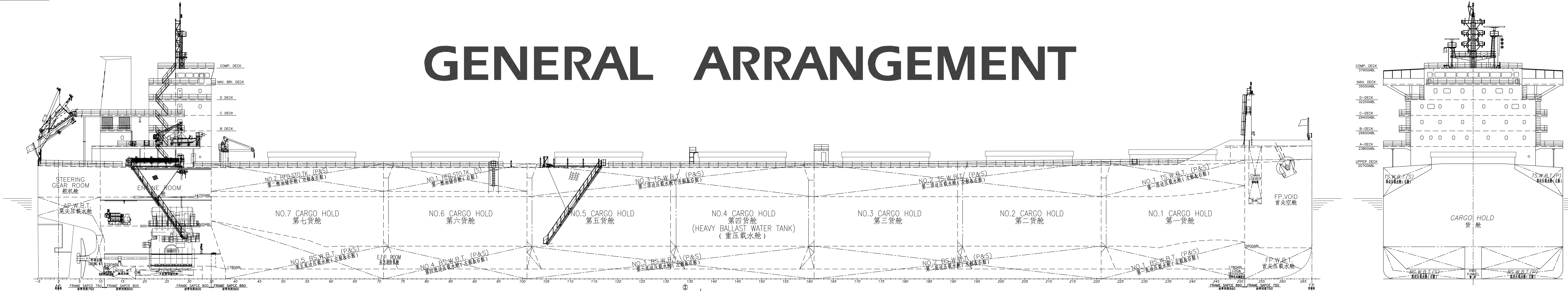


GENERAL ARRANGEMENT



MAIN PARTICULARS:
(主要参数)

LENGTH OVER ALL (总长)	229.00 m
LENGTH BETWEEN PERPENDICULARS (垂线间长)	225.30 m
BREADTH MOULDED (型宽)	32.26 m
DEPTH MOULDED (型深)	20.00 m
DESIGN DRAUGHT (设计吃水)	12.20 m
SCANTLING DRAUGHT (结构吃水)	14.45 m
DEADWEIGHT AT DESIGN DRAFT (设计吃水时的载重量)	abt. 65,500 t
DEADWEIGHT AT SCANTLING DRAFT (结构吃水时的载重量)	abt. 81,800 t
CARGO HOLD CAPACITY (货舱舱容)	abt. 97,300 m ³
COMPLEMENT (船员定额)	25P+1
MAIN ENGINE (主机型号)	MAN B&W 6S60ME-C8.2-TII
ENGINE OUTPUT(SMCR) (主机额定最大持续功率)	9,801kW x 90.3rpm
ENGINE OUTPUT(NCR) (主机常用持续功率)	7,448kW x 82.4rpm
SERVICE SPEED (服务航速)	14.3 knots
(at design draught 12.20m, NCR with 15% sea margin) (设计吃水12.20米时, 主机为常用持续功率NCR, 考虑15%的航海裕量)	
ENDURANCE (续航力)	22,000 NM
CLASSIFICATION NOTATION (入级符号)	DNV +1A1 Bulk Carrier ESP, CSR, COAT-PS(P&S), BC-A, Holds 2,4,6 may be empty, Grab[20] . ED, BWM-T, BIS, TMON ,shaft align(1)