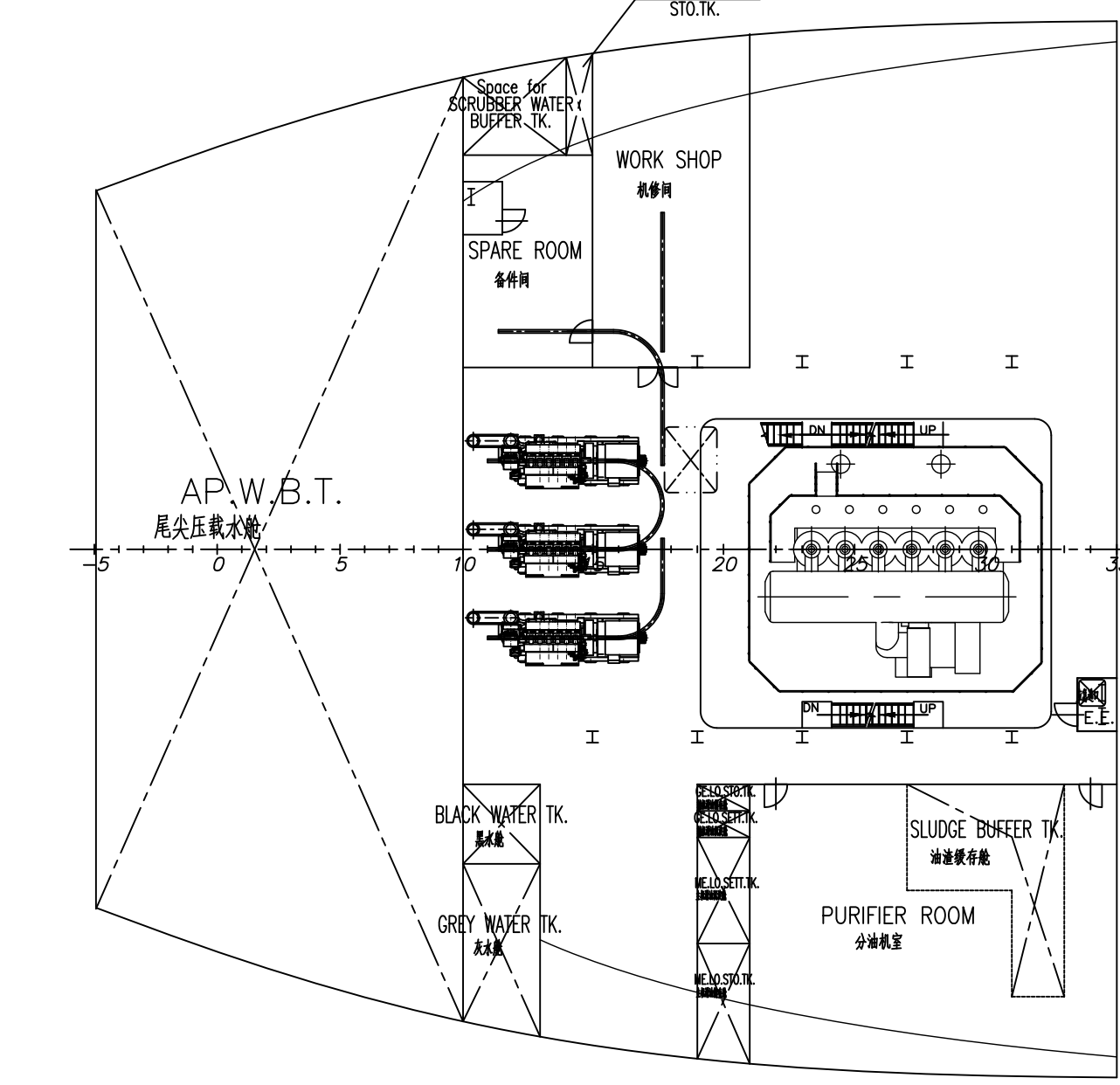
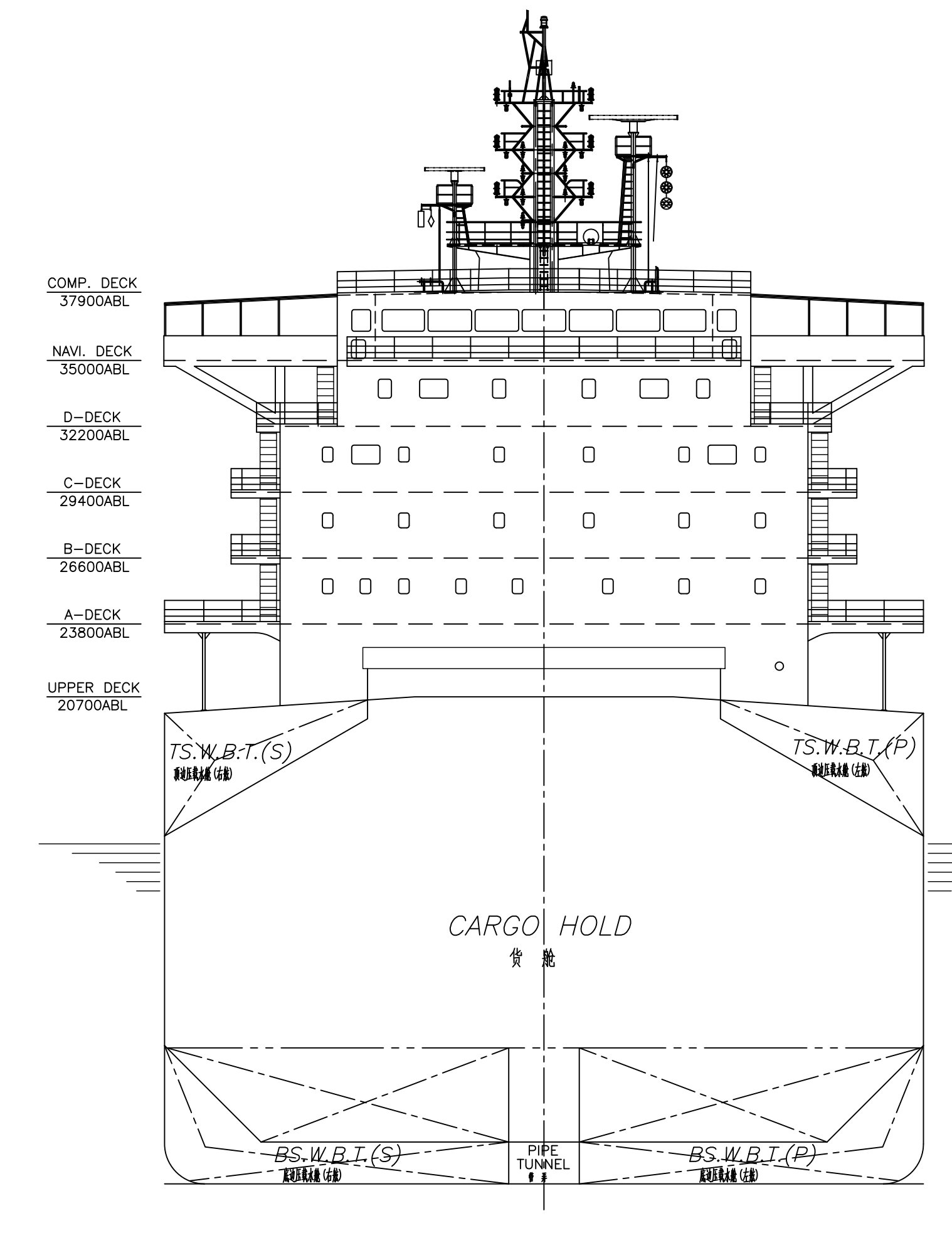
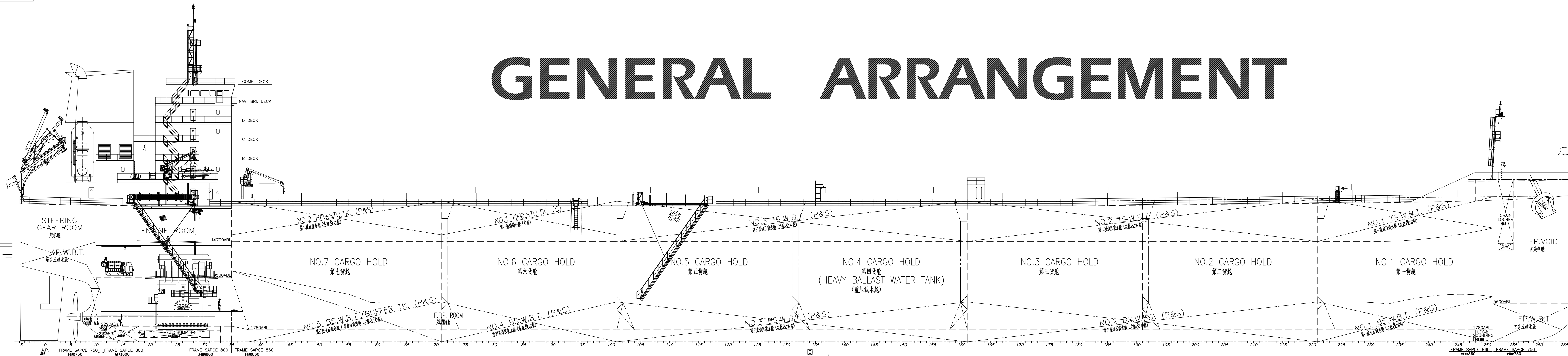
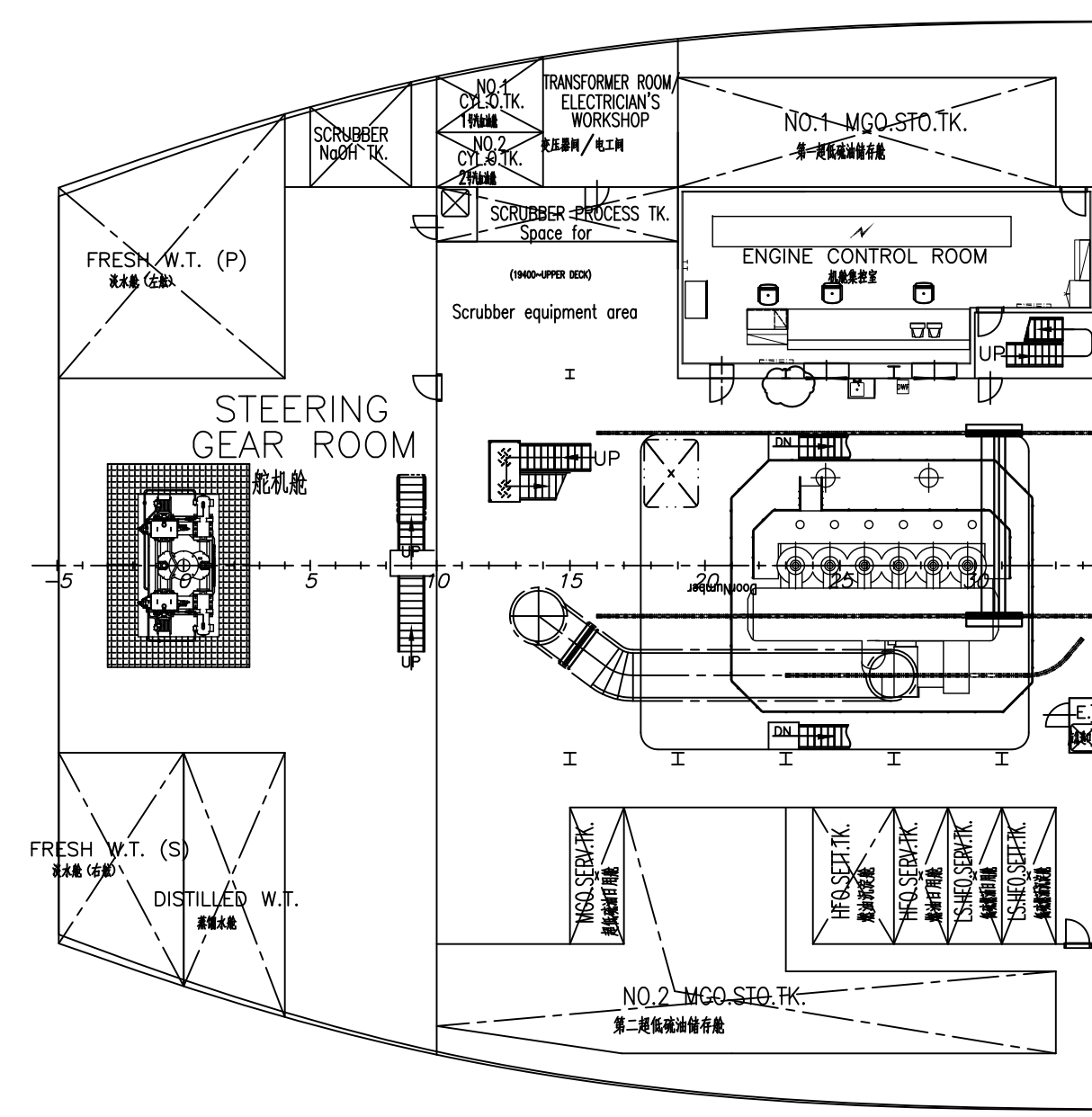


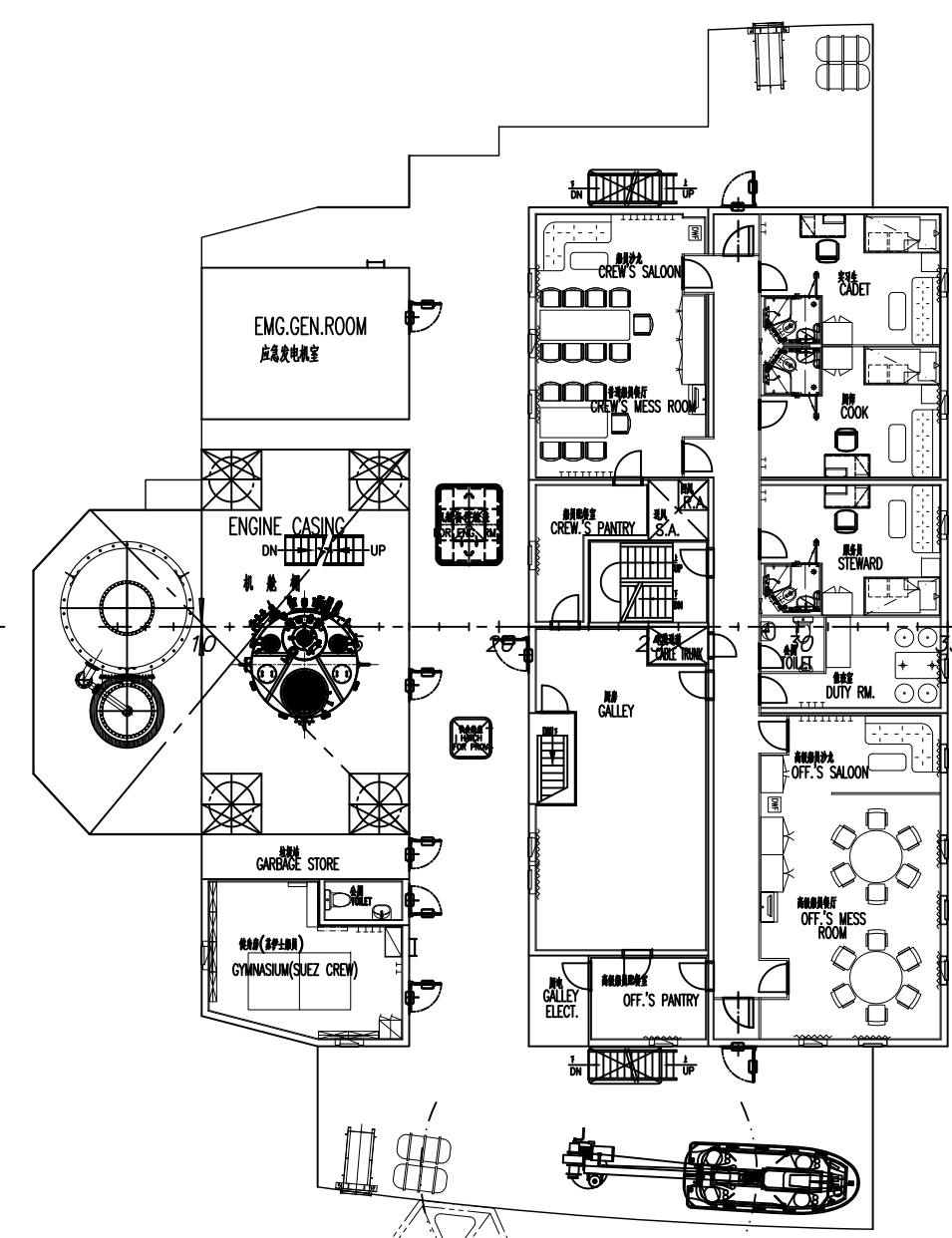
GENERAL ARRANGEMENT



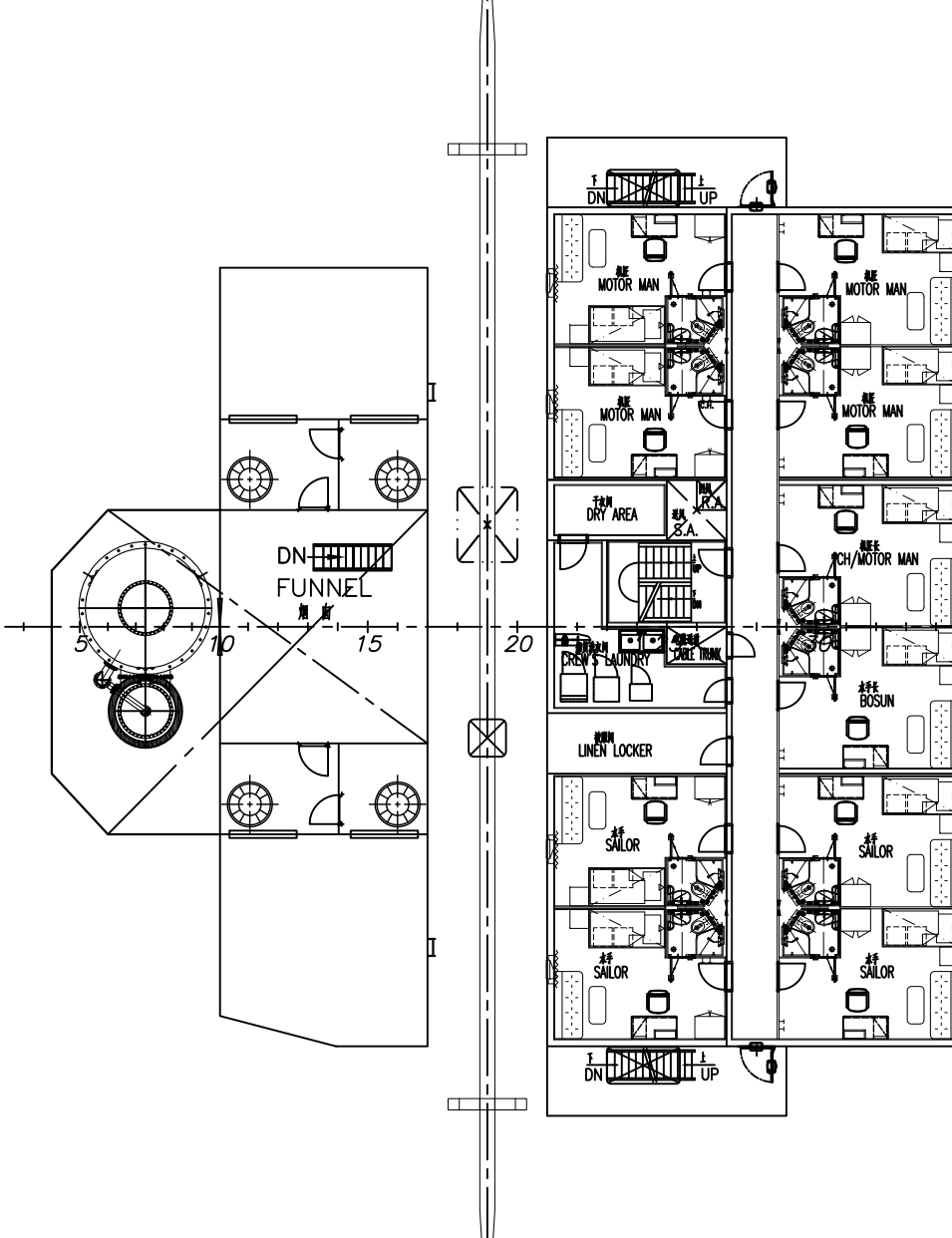
LOWER PLATFORM
机舱下平台



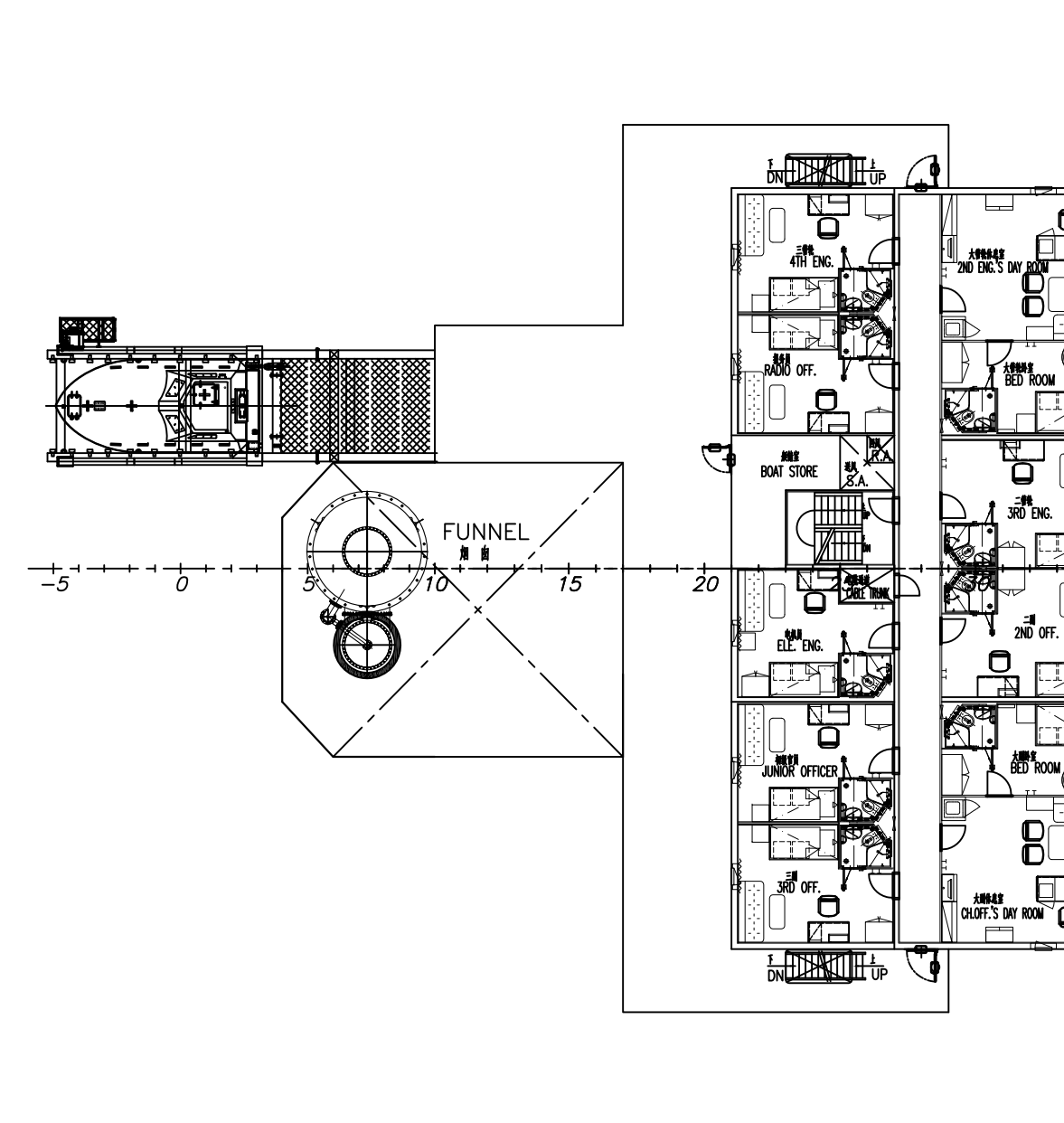
UPPER PLATFORM
机舱上平台



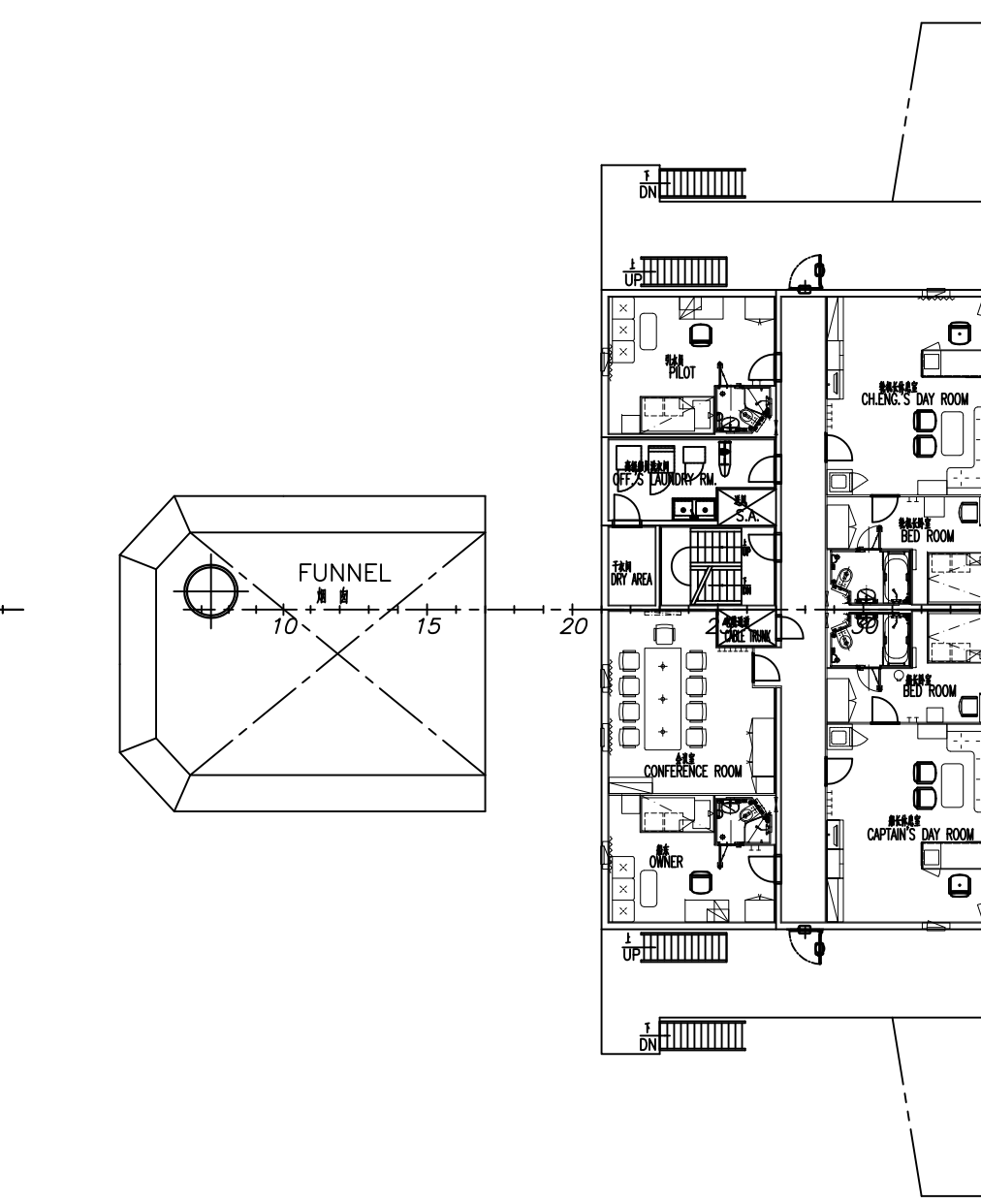
A DECK
A甲板



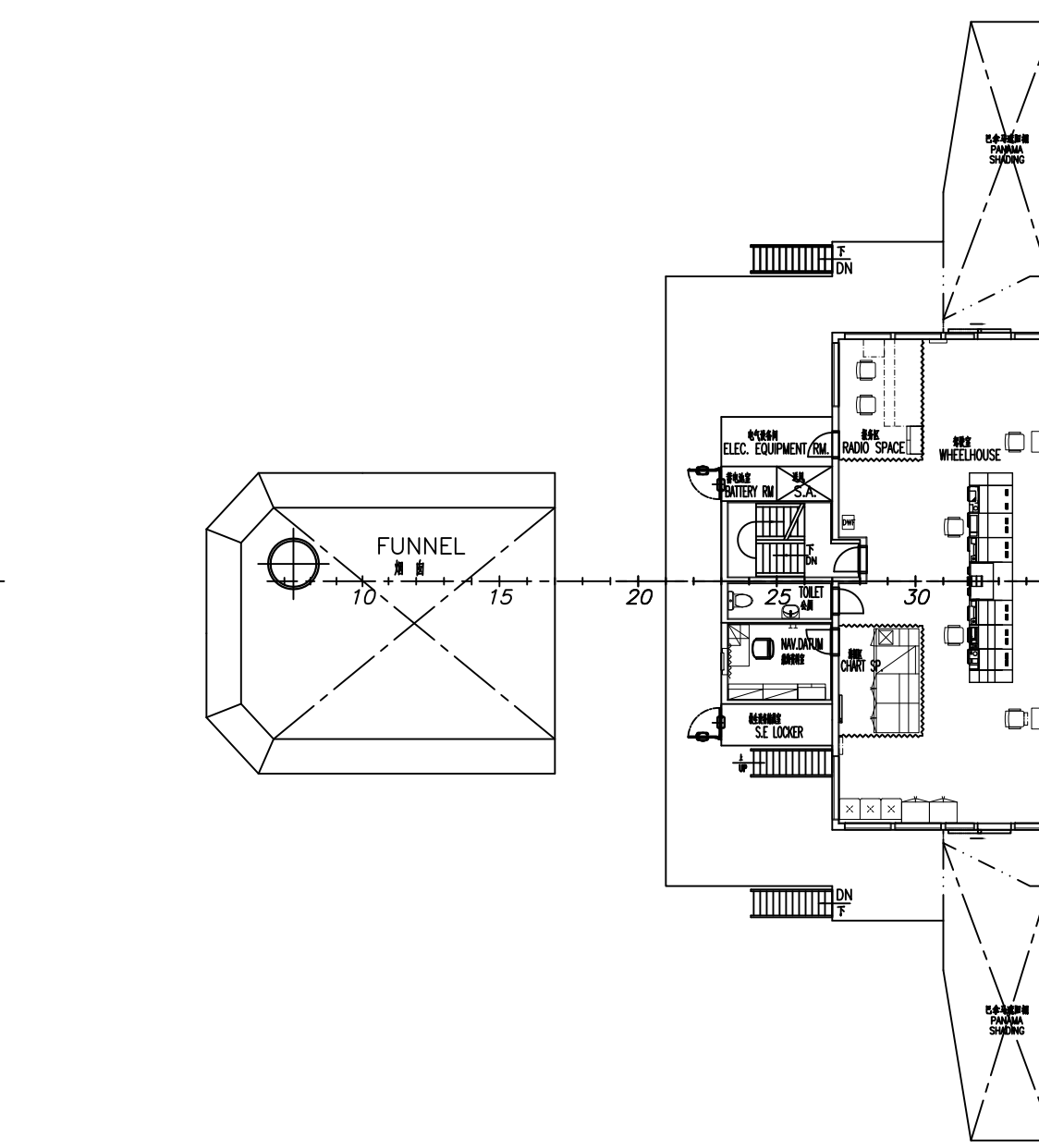
B DECK
B甲板



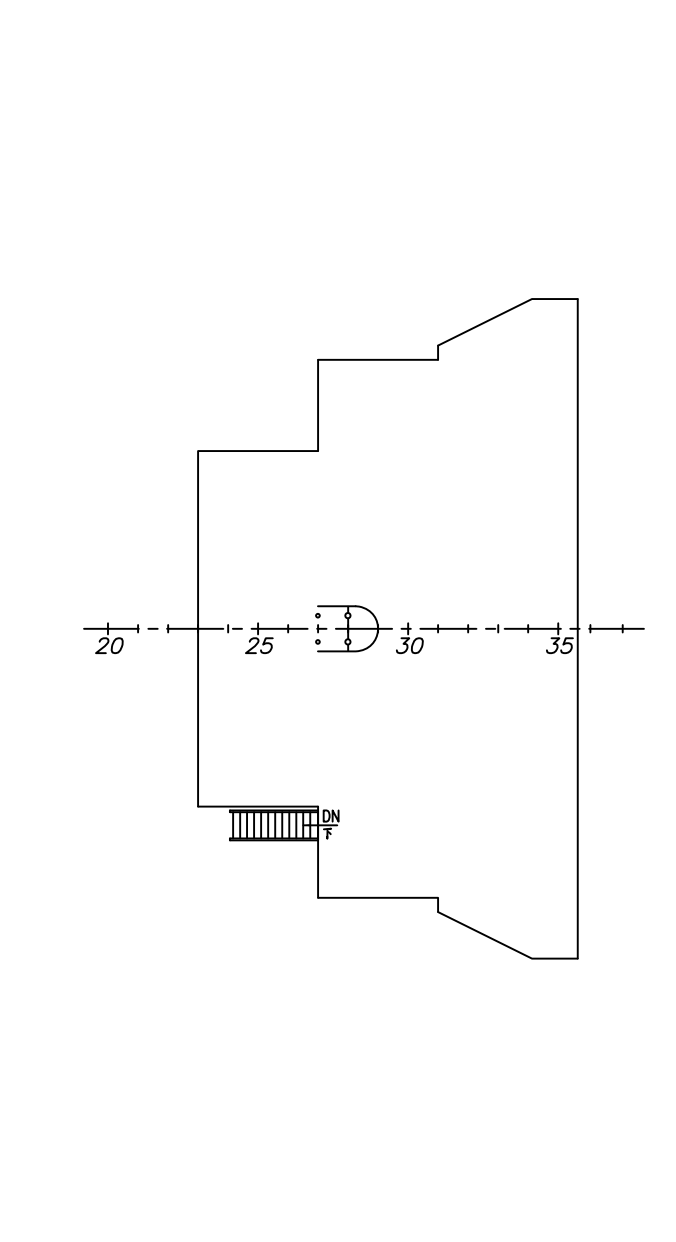
C DECK
C甲板



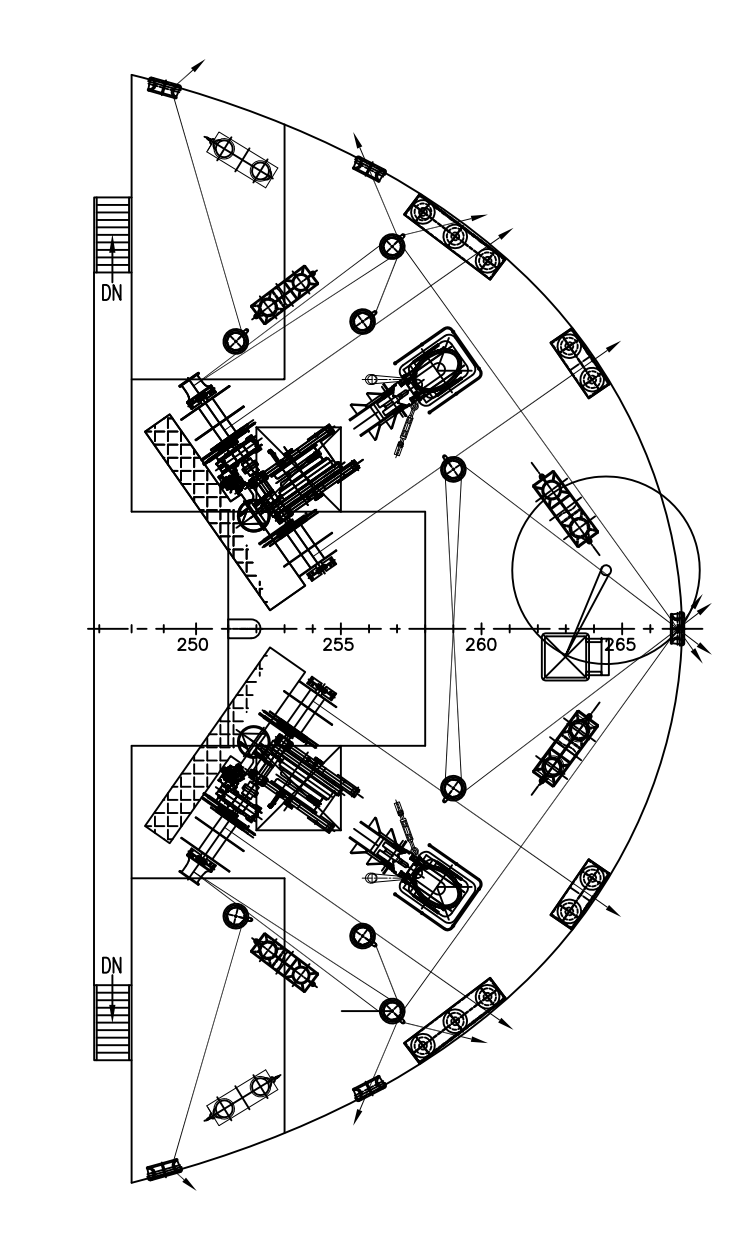
D DECK
D甲板



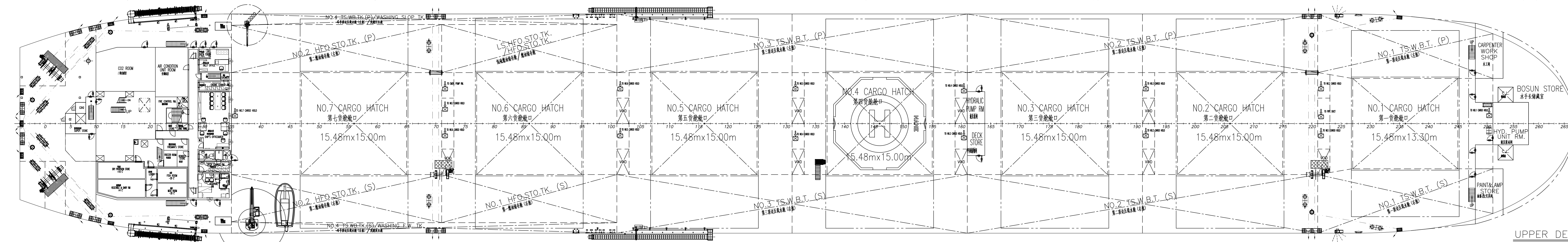
导航甲板



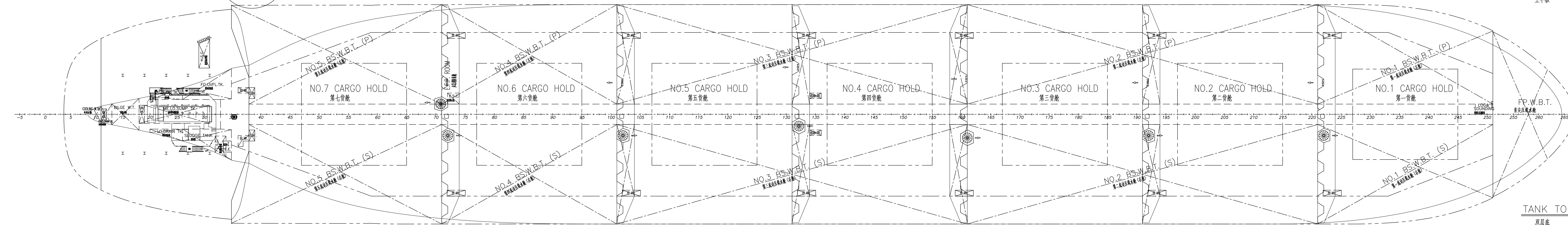
罗经甲板



首楼甲板



UPPER DECK
上甲板



TANK TOP
双层底

MAIN PARTICULARS: (主要参数)

LENGTH OVER ALL (总长)	229.00 m
LENGTH BETWEEN PERPENDICULARS (垂线间长)	225.30 m
BREADTH MOULDED (型宽)	32.26 m
DEPTH MOULDED (型深)	20.00 m
DESIGN DRAUGHT (设计吃水)	12.20 m
SCANTLING DRAUGHT (规范吃水)	14.45 m
DEADWEIGHT AT DESIGN DRAFT (设计吃水时总载重)	abt. 65,500 t
DEADWEIGHT AT SCANTLING DRAFT (规范吃水时总载重)	abt. 81,800 t
CARGO HOLD CAPACITY (货舱容量)	abt. 97,300 m ³
COMPLEMENT (船员数)	25P+1
MAIN ENGINE (主机)	MAN B&W 6S60ME-C8.2-TII
ENGINE OUTPUT(SMCR) (主机额定功率)	9,801kW x 90.3rpm
ENGINE OUTPUT(NCR) (主机最大功率)	7,448kW x 82.4rpm
SERVICE SPEED (服务航速)	14.3 knots
(at design draught 12.20m, NCR with 15% sea margin) (在12.20m吃水, 主机功率NCR, 15%浪高裕量)	
ENDURANCE (续航力)	22,000 NM
CLASSIFICATION NOTATION (船级社符号)	
DNV +I1A1 Bulk Carrier ESP, CSR, COAT-PSPC(B), BC-A, Holds 2,4,6 may be empty, Grab[2] , EO, BWM-T, BIS, TMON	

2	2018-03-01	Scrubber install as per owner's comment.	Boysun	ZXY	HYOU
1	2018-01-23	Based on per part comments.	Boysun	ZXY	HYOU
0	2017-11-16	Arranged for "scrubber" need	Boysun	ZXY	HYOU
REV	DATE	DESCRIPTION	BY	CHKD.	APPR.

CS Marine INTEROCEAN
 Jiangsu NewYangzi Shipbuilding Co.,Ltd

EF	---	DATE	2017-11-16	TITLE	82000MT BULK CARRIER	CLASS	BWVL
HF	---	DATE	2017-11-16	TITLE	GENERAL ARRANGEMENT		
MC	---	DATE	2017-11-16	TITLE	机舱图		
BO	---	HULL NO	YJ22015-2143/2144	DWG NO	B1-0101	REV. 2	SHEET 1 / 1

SCALE 1:200